

bewello

Electric Wall Fireplace

Heater + LED

Elektrischer Wandkamin

Heizlüfter + LED

Elektromos fali kandalló

Hősugárgzó + LED

Elektrický nástěnný krb

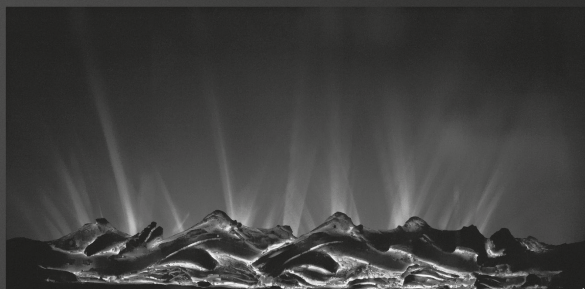
Ohřívač + LED

Elektrický nástěnný krb

Ohrievač + LED

Şemineu electric de perete

cu radiator de căldură + LED



USER MANUAL

Product Nr. BW2024

EN

DE

HU

CZ

SK

RO

IP20     **CE** **EF-14A**

Legend



Attention, danger!

The safety regulations marked with this symbol must be observed. Ignoring them can cause serious and far-reaching health damage as well as immeasurable material damage!



Important information!

Here you will find explanatory information and tips to help you use this device optimally!



Read the user manual!



Do not cover the device!



Do not dispose of the product together with household waste, but hand it in at the local collection point for recycling!



Do not dispose of cell batteries together with household waste, but hand them in at the local collection point for recycling!



Waste sorting signal!



Environmentally friendly disposal of packaging!



Protect from moisture!



Set the packaging unit to the top!



Fragile packaged goods!

fireplaces: it contains realistic, flaming effects and glowing, smoldering pieces of wood, but it can also be used as a radiator. A romantic atmosphere is guaranteed. On cold winter nights, you can adjust the intensity of the radiator (950 W, 2000 W) at two power levels on request, which is suitable for occasional, intermittent heating of a room of up to 30 m². This way, not only the sight but also the feeling of warmth will be realistic. Precise temperature control is ensured by a built-in thermostat, which can be set using the accessory's remote control. The flame effect can be used independently of the heating function, so you can admire the magical atmosphere of a „burning fire“ in the fireplace at any time of the year. The accessory crystals give an even more exclusive look to the „combustion chamber“ of the fireplace.

- It can be operated safely
- There is no fire, spark, soot
- It is characterized by two heating capacities and high heating power
- Weekly timing
- Overheating protection
- Rugged frame
- Recessed design
- The light effect can be switched separately, adjustable brightness
- Romantic atmosphere from the first minute of switching on
- It is deceptively similar to real fireplaces

Attention! Some points on the cover may overheat due to heat radiation!

Design:	Recessed
Power supply:	AC 220 - 240 V, ~ 50/60 Hz
LED efficiency:	1.6 W
Heating efficiency:	950 - 2000 W
Recommended use:	max. 30 m ² room
Operating temperature:	15 °C - 30 °C
Storing temperature:	15 °C - 30 °C
Direct heat efficiency:	950 - 2000 W
Energy class (EU2021):	Class „G“

Dear Customer! Thank you for choosing our product, we hope you enjoy using it for a long time.

There is nothing better than to cuddle with our loved one in front of the fireplace on a cold winter day. This multifunctional recessed fireplace is the perfect replica of the original

Inbuilt temperature adjustment:	Yes, manual
Protection:	IP20
Overheating protection:	Yes
Noise level:	50 dB
Power cord:	140 cm
Material:	Metal + glass
Size:	91 x 15 x 48 cm
Color:	Black
LED:	5 V, min 2 - max 3 lumen/LED (20 mA), 2700 Kelvin

This product contains a light source with an energy efficiency class of „G“!

USER MANUAL

Safety regulations, warnings



General advice: Danger of suffocation! Please keep the packaging of the appliance out of the reach of children as it may lead to suffocation. The appliance may only be used by adults, the storage location must be chosen in such a way that children cannot accidentally access it. Children should be supervised to ensure that they do not play with the appliance.

Danger of electric shock: Never operate the appliance with wet, wet hands! Touching the device, including the power plug and cable, with wet hands is strictly prohibited! The device may only be connected to AC power with the correct voltage. Do not point the device directly at electrical equipment, as hot air may enter and cause damage. Do not use the appliance near a bathtub, shower, swimming pool or sink containing water. Unplug the appliance only by grabbing the mains plug.

Operation: Make sure of environmental regulations before use! Do not use the device near explosive material! When used in special places (eg petrol station, pools...) the local safety regulations must be followed! Place the appliance horizontally and stably, make sure that the appliance does not tilt or tip over! Do not cover the appliance with anything (sheets, blankets...)! To reduce the risk of fire, do not place the appliance closer than 2 m to furniture, objects or walls! The appliance must not be operated from a socket with a timer! The appliance is not suitable as a primary heating source for rooms. The appliance is designed for intermittent (short-term) heating.



General advice: The device may only be used for its intended purpose! When using, pay attention to the physical safety and safety of those around you (especially children). The device may only be used by persons who have read, understood and are able to operate this device accordingly! Persons with reduced mental, physical or sensory capabilities should not use the device! Children should not use the appliance! After using the appliance, make sure that the hot appliance can cool down in a well-ventilated place in a way they won't cause personal injury to anyone! Inform those around you about the operating status of the device.

Risk of electric shock: Only connect the appliance to a mains socket that is safe to operate or has been installed by a specialist in accordance with IEC 60364-1. Before each use, make sure that the appliance and the mains cable and connectors are intact! Only use undamaged devices! If you experience any damage, do not use the appliance, contact a specialist! During use, pay attention to the integrity of the mains cable, avoid edges or objects that can damage the surface of the cable. Avoid the use of extension cords or splitters, as they are a source of danger during operation. Always unplug the appliance when not in use! Maintenance work must only be carried out with the mains plug removed!

Operation: Risk of burns! Never touch the part of the radiator (bottom) or point it at close range to other people or animals! To avoid burns, always allow the appliance to cool down before you touch it! The device may only be operated when fully assembled with the factory accessories! If any part is damaged, it must be replaced before use. Allow the appliance to cool down completely in a well-ventilated place before storing it. During use, periodically check that the appliance is not overheated and that the ventilation openings are not blocked.



General advice: Do not use the device if you have previously dropped or struck it and it is visibly damaged! It is strictly forbidden to, modify or disable safety devices, you must use as intended!

Operation: Always operate and store the device as described always check the integrity of the appliance, cable, plug and accessories! In the event of damage, do not use the device!



Operation: Use the appliance only at freezing temperatures above 0 °C to avoid condensation and electric shock. Never leave the appliance unattended when it is connected to the mains! Protect the device from moisture and water! Do not store the

device outdoors in high temperature fluctuations.

ATTENTION!

Certain parts of the product may become hot and cause burns. Requires increased attention near children.

ATTENTION! The device may only be installed in recessed form in a plasterboard wall or in a wooden wall or box specially designed for this purpose. Ensure that the device is properly ventilated during installation. Internal circuits and components are cooled through the ventilation openings at the top and bottom of the fireplace.

To ventilate them, an air space of appropriate size must be provided, this part must not be insulated or covered.

ATTENTION! You should only deviate from this if you choose to place the device outside the wall. In this case, it is also possible to fix it on brick, concrete, silicate and other walls.

ATTENTION! The device may only be installed by a specialist! Two people are required for a safe installation!

ATTENTION!

The radiator does not include a device to control the temperature of the rooms. Do not use it unattended in a room with people who cannot leave.

ATTENTION!

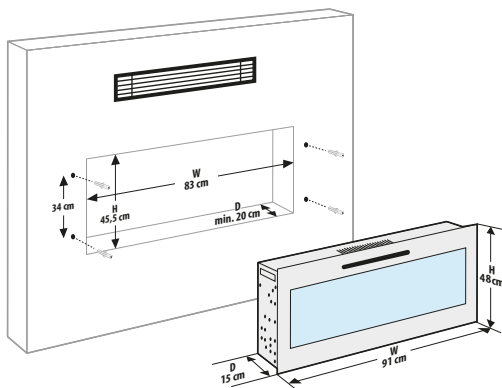
Leave at least 100 cm free space above the radiator and 200 cm in front of the radiator. Never use the radiator in a room with flammable, explosive oil, gasoline or gas.

INSTALLATION INSTRUCTIONS:

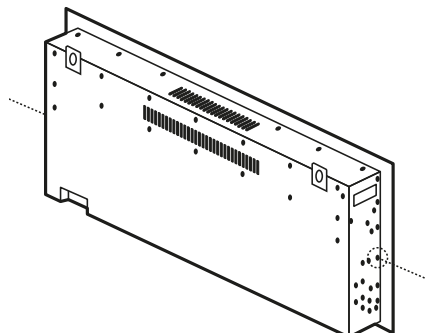
During installation, the location of the appliance must be located in such a way that it does not come into contact with moisture or heat pipes, gas pipes or electrical cables in its immediate vicinity. Install the appliance at least 30 cm high on the wall, so that the distance between the ceiling and the appliance is at least 100 cm. We recommend placing the lower part of the appliance at a height of 60 cm from the ground to ensure the best visual experience in the fireplace flag fire.

RECESSED INSTALLATION:

The included mounting accessories allow flush mounting on drywall and wood. Prior to installation, make sure that the wall section has the correct load capacity and can provide the power supply for the device in the given location. When fixing to a wooden surface, it is not necessary to pre-drill the holes and use anchors for the screws!



1. Select the wall where you want to place the appliance, then cut a hole of the right size for the appliance as shown! Use a spirit level and a pencil to mark the hole. Saw with the right blade for cutting, depending on the material.



2. Remove the glass front of the device. Remove the screws on both sides of the device. You will find these screws in the middle of the housing, screw number 4 down from the top of the housing.

Attention! The front of the device is made of glass! Handle with care! Shattered glass can cause cutting injuries! Place the glass on a clean, soft surface.

3. Insert the device into the previously cut hole and mark the location of the 4 fixing points. Remove the device. When fixing to drywall, drill the holes and insert the drywall anchors into the holes.

4. Insert the fireplace into the prepared hole and secure it with the 4 screws. Be careful not to break the cord of the machine, do not break the cord, or touch a sharp surface. Do not allow the cable to come in contact with the housing, as it may become hot during use.

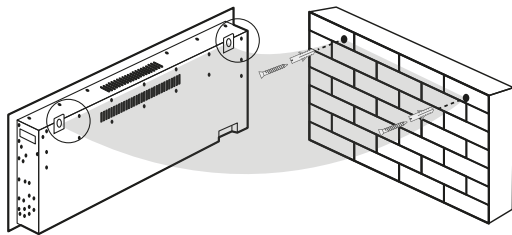
5. Place the wood decoration or, if required, the supplied "crystals" in the combustion chamber and arrange them according to your taste.

6. Ask for help to replace the front panel. Use the fixing screws on both sides of the appliance to fix the front panel back to the

fireplace housing (at the plane of the wall, you can do this from the side).

7. Make sure the device is turned off. Connect the mains plug of the appliance to the mains socket. The device beeps to indicate that it is ready for operation.

OUT OF WALL INSTALLATION (NOT RECESSED):

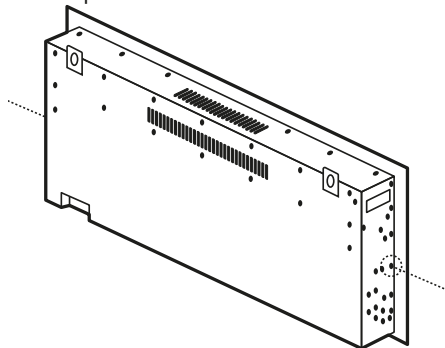


1. Use a drill to drill the holes for mounting the bracket. Use an 8 mm drill bit for drilling. The depth of the holes must be at least 26 mm deep. Do not use a smaller mounting size!

2. Insert the included anchors into the holes until they line up with the plane of the wall.

3. Using a screwdriver, screw in the screws so that their heads are 3-4 mm from the plane of the wall.

4. Hook the fireplace on the screws and make sure it fits snugly and accurately. If necessary, adjust the position of the screws to secure the fireplace to the wall.



5. Remove the front glass panel. Remove the screws on both sides of the device. You will find these screws in the middle of the housing, screw number 4 down from the top of the housing.

Attention! The front of the device is made of glass! Handle with care! Shattered glass can cause cutting injuries! Place the glass on a clean, soft surface.

6. Be careful not to break the device cable, or touch a sharp surface. Do not allow the cable to come into contact with the housing, as it may overheat during use.

7. Place the wood decoration or, if required, the supplied "crystals" in

the combustion chamber and arrange them according to your taste.
8. Ask for help to replace the glass faceplate. Use the fixing screws on each side of the device to reattach the front panel.

9. Make sure the device is turned off. Connect the mains plug of the appliance to the mains socket. The device beeps to indicate that it is ready for operation.


HOW TO USE THE DEVICE:


There are two ways to control the fireplace:

1. By using the touch screen on the panel
2. By using the remote



The icons on the fireplace touch screen and the remote serve the same functions.

When controlling the fireplace, please note that it takes a few seconds for the control unit to receive the given instruction and process it.



On/off switch: Press the button  on the touch panel or remote control and you will hear a short signal, the electric fireplace will turn on, the power icon will turn blue and the other buttons will light white, the display will show the room temperature.

Device shutdown: Press the POWER button  on the touch panel or remote control and you will hear a short signal, the light will go out and the fireplace, including the heating, will turn off. The POWER indicator will light up in red on both the unit and the remote control, the fan inside the unit will operate for another 10 seconds after the power is turned off, then the fireplace will enter standby mode.

High and low temperature adjustment:

Press and hold the „HEATER“ button  on the fireplace control panel for 3 seconds, then switch the device between °C and °F. (note: This function is not available on the remote control.) Start temperature 22 °C (72 °F), if the room temperature is lower then the device starts in high heating mode, if you want to switch to low heating mode, press the HEAT button  to switch (after the first press the display shows the current mode, after pressing it again it switches to the desired mode, if you press the button again, it switches off the heating mode. (H / L / O = high / low / off heating). You will hear a signal after each change, if you want to deactivate the heating function, you can also reduce the temperature with the „DOWN“ button.

Time adjustment:

You can set the timer from 0 to 12 hours. After switching on, the timer is set to 0 hours, You can set the timer using the touch panel on the unit or the TIME button  on the remote control, Once the fireplace is activated and you press the TIME button , „00“ will flash on the display, then the number of times you press the TIME

button it will change.

(00-30-1H-2H-3H-4H-5H-6H-7H-8H-9H-10H-11H-12H).

When you have reached the time you want to schedule, do not press the button again.

After the display flashes for 10 seconds and there is no status change, the display will show the room temperature again.

Temperature increasing buttons:

Temperature change range from 15 °C (60 °F) to 36 °C (97 °F), (default temperature 22 °C / 72 °F), press the up button ▲ and after each press the temperature will rise by 1 °C / 1 °F. After a long press, the temperature will rise continuously. (Note This function does not work with the remote control.) When in temperature setting mode, the temperature part will flash on the display. If no button is pressed for 10 seconds, the display will reset.

Temperature adjustment:

Temperature change range from 15 °C (60 °F) to 36 °C (97 °F), (default temperature 22 °C / 72 °F), press the up button ▼ and after each press the temperature will decrease by 1 °C / 1 °F. After a long press, the temperature will decrease continuously. (Note This function does not work with the remote control.) When in temperature setting mode, the temperature part will flash on the display. If no button is pressed for 10 seconds, the display will reset.

DIMMER function:

The flame brightness is at maximum by default. Flame brightness has 5 levels. If you press the DIMMER button 🔥, the brightness will decrease and after each press the brightness will decrease if the display shows -1, you have reached the darkest mode, if you press the DIMMER button 🔥 again, it will reset (brightest mode)

Flame color changing:

By default, the flame is orange when you press the COLOR MODE button 🌈 on the remote control, the display temperature

display changes to a color display:

(C1, C2, C3, C4, C5 , C6 , C7, C8, C9)

Each time you press a button, it will change color:

(C1) orange, (C2) green, (C3) blue, (C4) white, (C5) green + orange, (C6) orange + blue, (C7) orange + white, (C8) green + blue, (C9) green + white

Child safety function:

The electric fireplace has a locking function that you can both activate using the remote and the panel, after use, press the “up” and “down” buttons simultaneously for 3 seconds or press and hold the child lock button 🔒 on the remote control. You will then hear a sound indicating that the fireplace is closed, The buttons do not work. If you want to control the appliance again, press and hold the „up” and „down” buttons for 3 seconds or the child lock

button on the remote control for 1 second, you will hear a signal and the child lock will be released.

Time set hour: Press the **HOUR** button once to set the hour unit (setting range 00-23)

Time set minute: Press the **MIN** button once to add one minute (setting range 00-59)

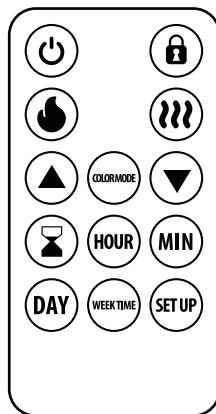
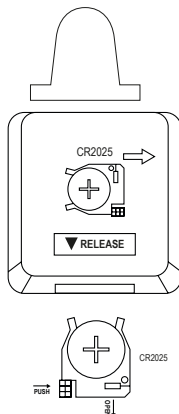
To set the days of the week: Press the **DAY** button, each time you press the day icon, it jumps from left to right and flashes.

Weekly timer function: The electric fireplace has a weekly on / off timer function. **WEEKTIME** button.

Weekly timer settings, on and off timer activation. **SET UP** button. (Please do not schedule the fireplace at a time when you cannot monitor its operation!)


CONTROL BY REMOTE:

Remove the foil from the battery compartment of the remote control, and the remote control will be ready for use. Use the same buttons you found on the fireplace control. The control of the remote control works with infrared technology, so point the remote towards the fireplace you want to use it properly. The infrared signal works from a maximum distance of 4-5 meters, make sure that no objects or people get between you and the fireplace during the control.



Temperature correction:

If you find that the temperature measurement of the device is inaccurate, you have the opportunity to fine-tune and calibrate

it. To do this, press the button marked  for 3 seconds. The display is now flashing. The display will show 0, which you can change by pressing the + and - buttons. This allows you to increase or decrease the measured temperature by the set °C value. Fine tuning is possible in the range of -9 to +9 degrees.

Overheating protection:

If the device overheats for some reason, it will turn off automatically. Remove any objects that caused overheating. To safely restart the fireplace, turn off the power for 15 minutes. Once the appliance has cooled down, it will switch on again.

Cleaning:

Always switch off, unplug and let the appliance cool down before cleaning. Use a dry cloth or vacuum cleaner to remove dust. The housing should only be wiped with a slightly damp cloth, making sure that no moisture enters the device! Do not use chemicals or alcohol during cleaning!

Storage:

Store in a cool, dry place. Do not throw away the product box. You can use it to store the device when not in use. Caution Only put the appliance back in its box if it has cooled down properly.


MALFUNCTIONS:

Problem	Reason	Solution
The fireplace switches off and won't turn on	The fireplace is overheated and the safety unit is turned off or the circuit breaker is open. Loose cables, wires, poor connection.	Unplug the power cord, wait 5 minutes, and then plug it in again. Check the wiring connections
The flame isn't moving	The flame engine is broken	Contact an expert who can replace the fireplace motor

The flame won't show up	The flame unit is out of its place	Flame rod is not in place, may have moved during transport. This problem can be solved by removing the glass panel and then turning it upside down to remove some screws that hold the flame rod in place and then move it into place. If in doubt, seek expert advice.
The firewood isn't glowing	Embers are off	Turn the flame button to the high position
The remote doesn't work	Low battery	Replace the battery
	Remote isn't pointed at the device	Point the remote control at the appliance, more precisely at the center of the glass panel towards the firewood.
	The remote control and / or sensor are damaged	Replace the remote control and / or sensor



Proper disposal of the appliance (Electrical appliance):

 (Valid in the European Union and all other European countries participating in selective collection) According to Directive 2012/19 / EU, electrical waste and appliances must not be disposed of with household waste. Old appliances should be placed in a bin to maximize the recycling of raw materials, thus reducing their impact on human health and the environment. The crossed-out wheeled-bin symbol must appear on all products for which separate collection is required. Consumers should contact their local authorities for more information.

Symbolerklärung



Achtung Gefahr!

Die mit diesem Symbol gekennzeichneten Sicherheitsvorschriften sind unbedingt zu beachten. Die Missachtung kann schwerwiegende und weit reichende gesundheitliche Schäden sowie immense Sachschäden verursachen.



Wichtige Information!

Hier finden Sie erklärende Informationen und Tipps, die Sie bei der optimalen Nutzung dieses Gerätes unterstützen.



Bedienungsanleitung lesen!



Nicht abdecken!



Entsorgen Sie das Produkt nicht im Hausmüll, sondern über kommunale Sammelstellen zur stofflichen Verwertung.



Entsorgen Sie die Knopfzellen nicht im Hausmüll, sondern über kommunale Sammelstellen zur stofflichen Verwertung.



Kennzeichnung zur Abfalltrennung!



Umweltgerechte Entsorgung der Verpackung!



Vor Nässe schützen!



Packstückausrichtung oben



Vorsicht zerbrechlich!

Es gibt nichts Schöneres, als an einem kalten Wintertag vor dem Kamin zu sitzen. Der multifunktionelle, eingebaute Kamin ist eine perfekte Nachbildung des ursprünglichen Kamins: Es gibt wirklichkeitsgetreue Flammeneffekte und glühende Holzstücke; es kann jedoch auch als Heizung verwendet werden. Eine romantische Atmosphäre ist garantiert. In kalten Winternächten können Sie die Intensität des Heizkörpers (950 W, 2000 W) bei Bedarf auf zwei Leistungsstufen einstellen, die für die gelegentliche, periodische Beheizung eines Raums von bis zu 30 m² geeignet sind. Auf diese Weise wird nicht nur der Flammeneffekt, sondern auch das Wärmegefühl wirklichkeitsgetreu. Die genaue Temperaturregelung wird durch einen eingebauten Thermostat gewährleistet, der über der mitgelieferten Fernbedienung eingestellt werden kann. Der Flammeneffekt kann unabhängig von der Heizfunktion verwendet werden, sodass Sie zu jeder Zeit im Jahr die magische Atmosphäre eines „brennenden Feuers“ im Kamin bewundern können. Die Zubehörkristalle verleihen dem Brennraum des Kamins ein exklusiveres Design.

- Sicherer Betrieb
- Kein Feuer, Funken oder Ruß
- Zwei Leistungsstufen, hohe Heizleistung
- Wöchentliche Zeiteinstellung
- Überhitzungsschutz
- Massives Gehäuse
- Versenkbar
- Der Lichteffect kann auch separat eingeschaltet werden, verstellbare Lichtstärke
- Romantische Atmosphäre ab der ersten Minute
- Es ist den Kaminen täuschend ähnlich

Achtung! Einige Stellen auf dem Gehäuse können durch Wärmestrahlung überhitzen.

Design:	Wandmontage, versenkbar
Spannungsversorgung:	AC 220 - 240 V, ~ 50/60 Hz
LED-Leistung:	1.6 W
Heizleistung:	950 - 2000 W
Empfohlener Anwendungsbereich:	In einem Raum von max. 30 m ²

Sehr geehrter Kunde, vielen Dank, dass Sie unser Produkt ausgewählt haben, wir hoffen, unser Produkt kommt Ihnen lange zugute.

Betriebstemperatur:	15 °C - 30 °C
Lagerungstemperatur:	15 °C - 30 °C
Direkte Wärmeleistung:	950 - 2000 W
Energieeffizienzklasse (EU2021):	Klasse „G“
Eingebauter Thermostat:	Ja, manuell
Schutzart:	IP20
Überhitzungsschutz:	Ja
Geräuschpegel:	50 dB
Länge des Stromkabels:	140 cm
Material:	Metall + Glas
Größe:	91 x 15 x 48 cm
Farbe:	Schwarz
LED:	5 V, min 2 - max 3 lumen/ LED (20 mA), 2700 Kelvin

Dieses Produkt enthält eine Lichtquelle der Energieeffizienzklasse „G“!

BEDIENUNGSANWEISUNG



GEFAHR

Allgemeine Hinweise: Erstickungsgefahr. Bitte bewahren Sie die Verpackung des Geräts außerhalb der Reichweite von Kindern auf, da dies zum Ersticken führen kann. Das Gerät darf nur von Erwachsenen benutzt werden. Der Aufbewahrungsort muss so gewählt werden, dass Kinder versehentlich darauf nicht zugreifen können. Kinder dürfen mit dem Gerät nicht spielen.

Stromschlaggefahr: Betreiben Sie das Gerät niemals mit nassen, feuchten Händen. Es ist strengstens verboten, das Gerät einschließlich Netzstecker, Kabel und Berührungsbildschirm mit nassen Händen zu berühren. Das Gerät darf an Wechselstrom nur mit der richtigen Spannung angeschlossen werden. Richten Sie das Gerät nicht direkt auf Elektrogeräte, da heiße Luft in die Geräte eindringen und diese beschädigen kann. Verwenden Sie das Gerät nicht in der Nähe einer Badewanne, Dusche, eines Schwimmbades oder einer Spüle. Ziehen Sie das Gerät am Stecker aus der Steckdose. Verlegen Sie das Gerätekabel niemals an der Vorderseite des Geräts.

Betrieb: Machen Sie sich vor dem Gebrauch mit den Umweltvorschriften bekannt. Verwenden Sie das Gerät nicht in explosionsgefährdeten Bereichen. Bei Verwendung an besonderen Orten (z. B. Tankstellen, Bäder) sind die örtlichen Sicherheitsbestimmungen zu beachten. Planen Sie den Ort des Geräts, führen Sie Messungen durch, verwenden Sie vor der Montage ein Maßband. Decken Sie das Gerät nicht mit

beliebigem Material (Bettuch, Decke ...) ab. Stellen Sie keine Möbel oder Gegenstände im Umkreis von 2 Metern vor das Gerät, um Feuer zu vermeiden. Das Gerät darf nicht über eine Steckdose mit Zeitschalter betrieben werden. Das Gerät ist nicht als primäre Heizquelle für Räume geeignet. Das Gerät ist für gelegentliche, periodische (kurzfristige) Heizung vorgesehen.



WARNUNG!

Allgemeine Hinweise: Das Gerät darf nur bestimmungsgemäß verwendet werden. Achten Sie beim Gebrauch auf die körperliche Unversehrtheit und Sicherheit der Personen in Ihrer Umgebung (insbesondere von Kindern). Das Gerät darf nur von Personen benutzt werden, die diese Gebrauchsanweisung gelesen und verstanden haben, und die es dementsprechend bedienen können. Personen mit eingeschränkten geistigen, physischen oder sensorischen Fähigkeiten dürfen das Gerät nicht benutzen. Kinder dürfen das Gerät nicht benutzen. Stellen Sie sicher, dass das heiße Gerät nach dem Gebrauch an einem gut belüfteten Ort abkühlen kann und keine Verletzungen verursacht. Informieren Sie die Personen in Ihrer Umgebung über den betriebswarmen Zustand des Geräts.

Stromschlaggefahr: Schließen Sie das Gerät nur an eine Netzsteckdose an, die betriebssicher ist oder von einem Spezialisten gemäß IEC 60364- 1 installiert wurde. Stellen Sie vor jedem Gebrauch sicher, dass das Gerät und der Netzstecker intakt sind. Verwenden Sie nur unbeschädigte Geräte. Wenn Sie Schäden feststellen, dürfen Sie das Gerät nicht benutzen. Bitte wenden Sie sich an Ihren Fachhändler. Achten Sie während des Gebrauchs auf die Integrität des Netzkabels und vermeiden Sie Kanten oder Gegenstände, die die Kabeloberfläche beschädigen können. Vermeiden Sie die Verwendung von Verlängerungskabeln oder Steckdosenleisten, da diese während des Betriebs ein Risikofaktor darstellen. Trennen Sie das Gerät vom Stromkreis, wenn Sie es nicht benutzen. Wartungsarbeiten dürfen nur bei gezogenem Netzstecker durchgeführt werden.

Betrieb: Verbrennungsgefahr. Berühren Sie niemals den Teil (Unterteil) des Heizlüfters. Lassen Sie das Gerät immer abkühlen, bevor Sie das Gehäuse berühren, um Verbrennungen zu vermeiden. Das Gerät darf nur betrieben werden, wenn es mit den Werkzubehören vollständig installiert ist. Wenn ein Zubehör beschädigt ist, muss es vor dem Gebrauch ausgetauscht werden. Lassen Sie das Gerät an einem gut belüfteten Ort vollständig abkühlen, bevor Sie es aufbewahren. Überprüfen Sie während des Gebrauchs regelmäßig, ob das Gerät nicht überhitzt ist und die Lüftungsöffnungen nicht verstopft sind.

! VORSICHT!

Allgemeine Hinweise: Verwenden Sie das Gerät nicht, wenn Sie es zuvor fallen gelassen oder aus Versehen getroffen haben und es sichtbar beschädigt ist. Es ist verbindlich, Sicherheitsvorrichtungen bestimmungsgemäß zu verwenden. Es ist streng verboten, diese zu modifizieren oder zu deaktivieren.

Betrieb: Betreiben und lagern Sie das Gerät immer entsprechend den Angaben. Überprüfen Sie immer die Integrität von Gerät, Kabel, Stecker und Zubehör. Verwenden Sie das Gerät im Schadensfall nicht.

i ACHTUNG!

Betrieb: Verwenden Sie das Gerät nur über dem Gefrierpunkt 0 °C, um Kondensation und Stromschlag zu vermeiden. Lassen Sie das Gerät niemals unbeaufsichtigt, wenn es an die Stromquelle angeschlossen ist. Schützen Sie das Gerät vor Feuchtigkeit und Wasser. Lagern Sie das Gerät nicht bei hohen Temperaturschwankungen, Wetterbedingungen oder im Freien.

ACHTUNG!

Bestimmte Teile des Produkts können sich aufwärmen und Verbrennungen verursachen. Vorsicht ist geboten bei Kindern.

ACHTUNG!

Das Gerät darf in eine Gipskartonwand oder in eine spezielle Holzwand oder -kiste nur versenkt eingebaut werden. Stellen Sie sicher, dass das Gerät während der Installation ordnungsgemäß belüftet ist. Die internen Stromkreise und Komponenten werden durch die Lüftungsöffnungen oben und unten am Kamin gekühlt. Zur Belüftung muss ein Luftraum geeigneter Größe vorhanden sein, die Öffnungen dürfen nicht isoliert oder abgedeckt sein.

ACHTUNG!

Davon kann nur abgewichen werden, wenn Sie das Gerät an einer Wand (Aufputz) platzieren. In diesem Fall ist es auch möglich, das Gerät an Ziegeln, Beton, Silikat und anderen Wänden zu befestigen.

ACHTUNG!

Installationsarbeiten dürfen nur von einer Fachkraft durchgeführt werden. Eine sichere Installation erfordert zwei Personen.

ACHTUNG!

Der Heizkörper enthält keine Vorrichtung zur Regelung der Raumtemperatur. Verwenden Sie es nicht unbeaufsichtigt in einem Raum mit Personen, die den Raum nicht verlassen können.

ACHTUNG!

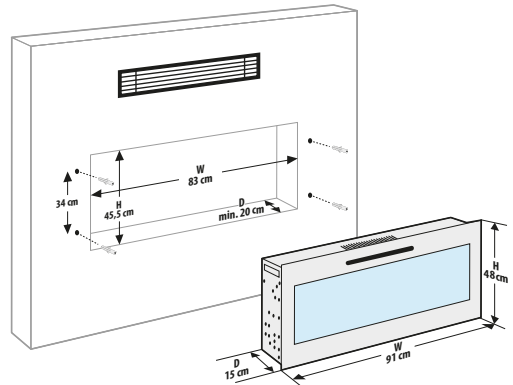
Lassen Sie mindestens 100 cm Freiraum über dem Heizlüfter und 200 cm vor dem Heizlüfter. Verwenden Sie den Heizlüfter niemals in einem Raum mit brennbarem, explosivem Öl, Benzin oder Gas.

INSTALLATIONSANLEITUNG:

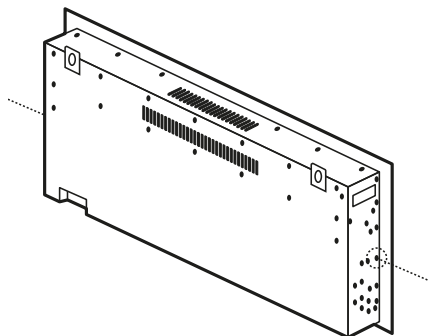
Während der Installation muss der Ort des Geräts so gewählt werden, dass das Gerät nicht mit Feuchtigkeit in Berührung kommt. Verlegen Sie keine Heizungsrohre, Gasleitungen oder Stromleitungen in unmittelbarer Nähe des Geräts. Installieren Sie das Gerät mindestens 30 cm hoch, so dass der Abstand zwischen Decke und Gerät mindestens 100 cm ist. Es wird empfohlen, den unteren Teil des Geräts in einer Höhe von 60 cm über dem Boden zu platzieren, damit der Kamin mit lodern dem Feuer das beste visuelle Erlebnis ermöglicht.

EINBAUMONTAGE:

Die mitgelieferten Zubehöre ermöglichen die Einbaumontage auf Gipskartonwänden und Holzoberflächen. Stellen Sie vor der Installation sicher, dass der Wandabschnitt eine ausreichende Tragkraft hat und die Stromversorgung für das Gerät an der angegebenen Stelle sichergestellt ist. Bei der Befestigung an einer Holzoberfläche ist es nicht erforderlich, die Löcher vorzubohren und Dübel für die Schrauben zu verwenden.



1. Wählen Sie die Wand aus, an der Sie das Gerät platzieren wollen, und sägen Sie ein Loch in der richtigen Größe für das Gerät. Verwenden Sie eine Wasserwaage und einen Bleistift, um das Loch zu markieren. Sägen Sie je nach Material mit richtigen Zähnen.



2. Führen Sie die Gipskartondübel in die Löcher bei der Befestigung an einer Gipskartonwand.

Achtung! Die Frontplatte des Geräts besteht aus Glas. Gehen Sie damit vorsichtig um. Zerbrochenes Glas kann zu Schnittverletzungen führen. Stellen Sie das Glas auf eine saubere, weiche Oberfläche.

3. Entfernen Sie das Glas von der Vorderseite des Geräts. Entfernen Sie die Schrauben an beiden Seiten des Geräts. Sie finden diese Schrauben in der Mitte des Gehäuses, diese ist die vierte Schraube von der Oberseite des Gehäuses.

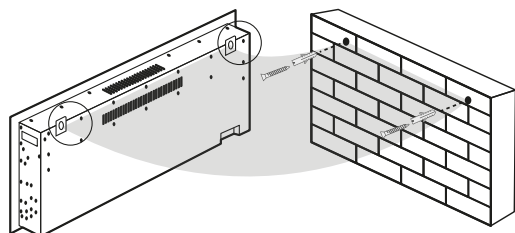
4. Stellen Sie den Kamin auf das vorbereitete Loch und befestigen Sie es mit den 4 Schrauben. Achten Sie darauf, das Gerätekabel nicht zu brechen oder mit einer scharfen Oberfläche zu berühren. Berühren Sie das Kabel nicht mit dem Gehäuse, da es während des Gebrauchs überhitzen kann.

5. Legen Sie die Holzdekoration, bzw. die mitgelieferten „Kristalle“ in den Brennraum und ordnen Sie sie nach Ihrem Geschmack an.

6. Bitten Sie um Hilfe beim Zurücklegen der Glasfrontplatte. Befestigen Sie die Frontplatte mit den Befestigungsschrauben, die an beiden Seiten des Geräts zu finden sind, wieder am Kamingehäuse (in der Ebene der Wand können Sie dies seitlich durchführen).

7. Stellen Sie sicher, dass das Gerät ausgeschaltet ist. Schließen Sie den Netzstecker des Geräts an die Netzsteckdose an. Das Gerät gibt einen Signalton aus, wenn es betriebsbereit ist.

AUFPUTZMONTAGE (NICHT VERSENKT):

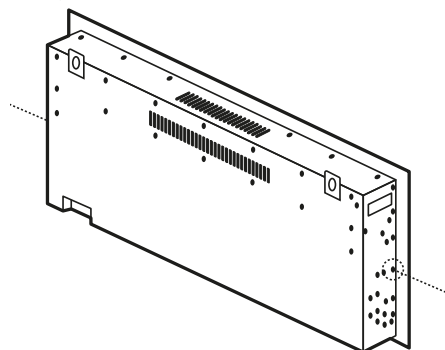


1. Verwenden Sie einen Bohrer, um die Befestigungslöcher der Halterung zu bohren. Verwenden Sie zum Bohren einen 8 mm langen Bohrer. Die Tiefe der Löcher muss mindestens 26 mm betragen. Verwenden Sie keine kleinere Befestigungsgröße.

2. Setzen Sie die mitgelieferten Dübel in die Löcher ein, bis sie in einer Linie mit der Wand sind.

3. Schrauben Sie die Schrauben mit einem Schraubendreher so ein, dass ihre Köpfe 3-4 mm von der Wandebene entfernt sind.

4. Stellen Sie den Kamin auf die Schrauben und stellen Sie sicher, dass es stabil und genau sitzt. Passen Sie bei Bedarf die Position der Schrauben an, um den Kamin an der Wand zu befestigen.



5. Entfernen Sie das Glas von der Vorderseite des Geräts. Entfernen Sie die Schrauben an beiden Seiten des Geräts. Sie finden diese Schrauben in der Mitte des Gehäuses, diese ist die vierte Schraube von der Oberseite des Gehäuses.

Achtung. Die Frontplatte des Geräts besteht aus Glas. Gehen Sie damit vorsichtig um. Zerbrochenes Glas kann zu Schnittverletzungen führen. Stellen Sie das Glas auf eine saubere, weiche Oberfläche.

6. Achten Sie darauf, das Gerätekabel nicht zu brechen oder mit einer scharfen Oberfläche zu berühren. Berühren Sie das Kabel nicht mit dem Gehäuse, da es während des Gebrauchs überhitzen kann.

7. Legen Sie die Holzdekoration, bzw. die mitgelieferten „Kristalle“ in den Brennraum und ordnen Sie sie nach Ihrem Geschmack an.

8. Bitten Sie um Hilfe beim Zurücklegen der Glasfrontplatte. Befestigen Sie die Frontplatte mit den Befestigungsschrauben, die an beiden Seiten des Geräts zu finden sind.

9. Stellen Sie sicher, dass das Gerät ausgeschaltet ist. Schließen Sie den Netzstecker des Geräts an die Netzsteckdose an. Das Gerät gibt einen Signalton aus, wenn es betriebsbereit ist.


SO VERWENDEN SIE DAS GERÄT


Es gibt zwei Möglichkeiten, den Kamin zu steuern:

1. mit dem Berührungsbildschirm am Kamin
2. mit der mitgelieferten Fernbedienung


Die **Symbole auf dem Berührungsbildschirm des Kamins und auf der Fernbedienung erfüllen dieselben Funktionen.**

Beachten Sie bei der Steuerung des Kamins, dass es einige Sekunden dauert, bis die Steuereinheit das Signal empfängt und verarbeitet.


Ein/Aus-Schalter: Drücken Sie die Taste  auf dem Berührungsbildschirm oder der Fernbedienung, dann ertönt ein kurzer Piepton, der elektrische Kamin schaltet sich ein, das Einschalten-Symbol leuchtet blau und die anderen Tasten leuchten weiß, das Display zeigt die Raumtemperatur an.

Gerät stoppen: Drücken Sie die POWER-Taste  auf dem Berührungsbildschirm oder der Fernbedienung, dann ertönt ein kurzer Piepton. Das Licht erlischt, der Kamin und die Heizung schalten sich aus. Das POWER-Symbol leuchtet sowohl am Gerät als auch auf der Fernbedienung rot auf. Der Ventilator im Gerät läuft nach dem Ausschalten weitere 10 Sekunden lang. Anschließend wechselt der Kamin in den Standby-Modus.

Einstellung von hohen und niedrigen Temperaturen:

Halten Sie die „HEATER“-Taste  auf dem Berührungsbildschirm des Kamins 3 Sekunden lang gedrückt, dann wechselt das Gerät zwischen °C und °F. (Hinweis: Diese Funktion ist auf der Fernbedienung nicht verfügbar.) Standardtemperatur liegt bei 22 °C (72 °F), wenn die Raumtemperatur niedriger als die Standardtemperatur ist, startet das Gerät mit einem hohen Heizmodus. Wenn Sie in einen niedrigeren Heizmodus wechseln wollen, drücken Sie die HEATER-Taste, um zu wechseln (nach dem ersten Drücken zeigt das Display den aktuellen Modus an, durch erneutes Drücken wird in den gewünschten Modus gewechselt. Wenn Sie die Taste erneut drücken, wird der Heizmodus ausgeschaltet. (H / L / 0 = hoher / niedriger / ausgeschalteter Heizmodus). Nach jedem Wechsel ertönt ein Piepton. Wenn Sie die Heizfunktion deaktivieren wollen, können Sie die Temperatur auch mit der Taste „DOWN“ senken.

Zeitschaltuhr einstellen:


Sie können die Zeitschaltuhr zwischen 0 und 12 Uhr einstellen. Nach dem Einschalten ist die Zeitschaltuhr automatisch auf 0 Uhr eingestellt. Sie können die Zeitschaltuhr mit dem Berührungsbildschirm am Gerät oder der Fernbedienung durch Drücken der TIME- Taste  einstellen. Drücken Sie nach dem Einschalten des Kamins die TIME-Taste auf dem Display oder auf

der Fernbedienung. Am Display wird „00“ blinken. Jedes Mal, wenn Sie TIME-Taste  drücken, wird die Uhrzeit geändert. (00-30-1H-2H-3H-4H-5H-6H-7H-8H-9H-10H-11H-12H).


Wenn Sie die gewünschte Uhrzeit eingestellt haben, drücken Sie die Taste nicht erneut.

Nachdem das Display 10 Sekunden lang blinkt, und wenn es keine weitere Statusänderung erfolgt, zeigt die Anzeige erneut die Raumtemperatur an.



Tasten zum Erhöhen der Temperatur:

Der Temperatureinstellbereich reicht von 15 °C (60 °F) bis 36 °C (97 °F) (Standardtemperatur ist 22 °C / 72 °F). Drücken Sie die Aufwärtstaste  und nach jedem Drücken steigt die Temperatur um 1 °C / 1 °F. Nach langem Drücken steigt die Temperatur kontinuierlich an. (Hinweis: Diese Funktion ist auf der Fernbedienung nicht verfügbar.) Im Temperatureinstellungsmodus blinkt die Temperaturanzeige auf dem Display. Wenn 10 Sekunden lang keine Taste gedrückt wird, wird das Display zurückgesetzt.


Tasten zum Verringern der Temperatur:

Der Temperatureinstellbereich reicht von 15 °C (60 °F) bis 36 °C (97 °F) (Standardtemperatur ist 22 °C / 72 °F). Drücken Sie die Abwärts-Taste  und nach jedem Drücken sinkt die Temperatur um 1 °C / 1 °F. Nach langem Drücken sinkt die Temperatur kontinuierlich. (Hinweis: Diese Funktion ist auf der Fernbedienung nicht verfügbar.) Im Temperatureinstellungsmodus blinkt die Temperaturanzeige auf dem Display. Wenn 10 Sekunden lang keine Taste gedrückt wird, wird das Display zurückgesetzt.

Helligkeitsregelung:

Die Flammenhelligkeit ist standardmäßig maximal. Die Flammenhelligkeit hat 5 Stufen. Wenn Sie die DIMMER-Taste  drücken, wird die Helligkeit reduziert, und nach jedem Drücken weiter reduziert, wenn auf dem Display -1 angezeigt wird, dann haben Sie den dunkelsten Modus erreicht. Wenn Sie die DIMMER-Taste  erneut drücken, kehrt die Flammenhelligkeit zur Standardposition (zum hellsten Modus) zurück.)


Veränderung der Flammenfarbe:


Die Flammenfarbe ist standardmäßig orange, wenn Sie die Taste COLOR MODE  auf der Fernbedienung drücken, ändert sich die Temperaturanzeige in eine Farbanzeige: (C1, C2, C3, C4, C5, C6, C7, C8, C9)


Jedes Mal, wenn Sie die Taste drücken, ändert sich die Farbe: (C1) orange, (C2) grün, (C3) blau, (C4) weiß, (C5) grün + orange, (C6) orange + blau, (C7) orange + weiß, (C8) grün + blau, (C9) grün + Weiß


Kindersicherungsfunktion:


Der elektrische Kamin verfügt über eine Kindersicherungsfunktion,


die sowohl mit der Fernbedienung als auch mit dem Berührungsbildschirm aktiviert werden kann. Wenn Sie den Kamin nicht mehr benutzen, drücken Sie gleichzeitig 3 Sekunden lang die Aufwärts- und Abwärts-Tasten  oder halten Sie die Kindersicherungstaste auf der Fernbedienung gedrückt. Ein Piepton ertönt und signalisiert, dass der Kamin geschlossen ist. Die Tasten funktionieren nicht. Wenn Sie das Gerät erneut steuern wollen, halten Sie die Aufwärts- und Abwärts-Tasten 3 Sekunden lang gedrückt oder die Kindersicherungstaste auf der Fernbedienung 1 Sekunde lang gedrückt. Ein Piepton ertönt und die Kindersicherung wird aufgehoben.

Stunde einstellen: Drücken Sie die Taste  einmal, um die Stundeneinheit einzustellen (Einstellbereich 00-23).

Minute einstellen: Drücken Sie die Taste  einmal, um die Minute zu ändern (Einstellbereich 00-59).

Wochentag einstellen: Drücken Sie die Taste . Jedes Mal, wenn Sie die Taste drücken, springt das Symbol Wochentag von links nach rechts und blinkt.

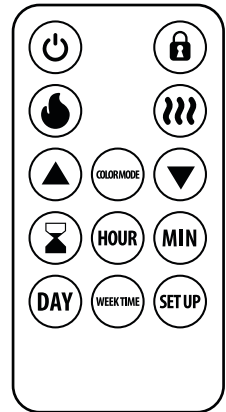
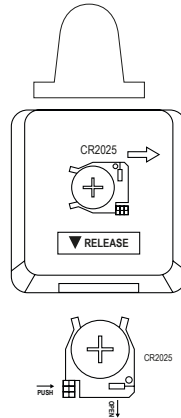
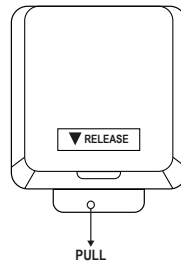
Wochenschaltuhr-Funktion: Der elektrische Kamin verfügt über eine Wochenschaltuhr-Funktion.  Taste.

Einstellung der Wochenschaltuhr, Ein- und Ausschalten, Aktivierung der Wochenschaltuhr.  Taste (Bitte


aktivieren Sie den Kamin nicht zu einem Zeitpunkt, an dem Sie den Betrieb nicht überwachen können.)

STEUERUNG MIT FERNBEDIENUNG

Entfernen Sie die Folie vom Batteriefach der Fernbedienung. Die Fernbedienung ist nun betriebsbereit. Verwenden Sie die gleichen Tasten, die Sie für die Steuerung am Kamin verwendet haben. Die Fernbedienung funktioniert mit Infrarottechnologie. Richten Sie die Fernbedienung auf den Kamin. Das Infrarotsignal funktioniert aus einer maximalen Entfernung von 4 bis 5 Metern. Achten Sie darauf, dass während der Steuerung keine Gegenstände oder Personen zwischen Ihnen und dem Kamin sind.



Temperatur anpassen:

Wenn Sie feststellen, dass die Temperaturmessung des Geräts ungenau ist, haben Sie die Möglichkeit, es zu optimieren und zu kalibrieren. Drücken Sie dazu 3 Sekunden lang die  „TIME“-Taste. Das Display fängt an zu blinken. Das Display zeigt 0 an, den Wert können Sie durch Drücken der Tasten + und - ändern. Auf diese Weise können Sie die gemessene Temperatur um den eingestellten °C-Wert erhöhen bzw. verringern. Eine Temperaturoptimierung ist im Bereich von -9 bis +9 Grad möglich.

Überhitzungsschutz: Wenn sich das Gerät aus irgendeinem Grund erwärmt, schaltet es sich automatisch aus. Entfernen Sie alle Gegenstände, die zu Überhitzung geführt haben. Um den Kamin sicher neu zu starten, trennen Sie sofort die Stromversorgung für 15 Minuten. Sobald das Gerät abgekühlt ist, schaltet es sich wieder ein.

Reinigung: Bevor Sie das Produkt reinigen, schalten Sie es aus, trennen Sie den Netzstecker von der Steckdose und lassen Sie es ausreichend abkühlen. Verwenden Sie ein trockenes Tuch oder einen Staubsauger, um Staub zu entfernen. Das Gehäuse darf nur mit einem leicht feuchten Tuch abgewischt werden. Achten Sie dabei darauf, dass keine Feuchtigkeit in das Gerät eindringt. Verwenden Sie keine Chemikalien oder Alkohol zur Reinigung.

Lagerung: An einem trockenen, kühlen Ort lagern. Werfen Sie die Verpackung des Produktes nicht weg. Sie können die Verpackung verwenden, um das Gerät zu lagern, wenn es nicht verwendet wird. Vorsicht. Legen Sie das Gerät nur dann wieder in die Verpackung, wenn es ausreichend abgekühlt ist.

FEHLFUNKTIONEN

Problem	Reason	Solution
Kamin schaltet sich aus und schaltet sich nicht wieder ein	Der Kamin ist überhitzt und die Schutzvorrichtung hat ihn ausgeschaltet oder der Leistungsschalter ist offen. Lose Kabel, Drähte, schlechter Anschluss	Ziehen Sie das Netzkabel aus der Steckdose, warten Sie 5 Minuten und schließen Sie es dann wieder an. Überprüfen Sie den Anschluss der Kabel
Flamme bewegt sich nicht	Flammenmotor ist defekt	Wenden Sie sich an einen Sachverständigen, der den Kaminmotor austauschen kann
Flamme ist nicht sichtbar	Flammeneinheit fehlt	Flammenstange fehlt, bzw. ist möglicherweise während des Transports verrutscht. Dieses Problem kann gelöst werden, indem die Glasfrontplatte entfernt und dann auf den Kopf gestellt wird. Entfernen Sie einige Schrauben, die die Flammenstange halten, und bringen Sie sie in die richtige Position. Wenn Sie unsicher sind, wenden Sie sich an einen Sachverständigen.

Brennholz glüht nicht	Glut ist ausgeschaltet	Schalten Sie die Flammentaste auf eine hohe Position
Fernbedienung funktioniert nicht	Niedriger Akku-Ladezustand	Wechseln Sie die Batterie
	Fernbedienung wird nicht auf das Gerät gerichtet	Richten Sie die Fernbedienung auf das Gerät, genauer gesagt auf die Mitte der Glasfrontplatte, auf das Brennholz.
	Fernbedienung und/oder Sensor ist defekt	Ersetzen Sie die Fernbedienung und / oder den Sensor



Sachgemäße Entsorgung des Geräts (Elektrisches Gerät):

(Gültig in der Europäischen Union und allen anderen europäischen Ländern, die an einer getrennten Sammlung teilnehmen.) Gemäß der Richtlinie 2012/19/EU dürfen elektrische Abfälle und Haushaltsgeräte nicht mit dem Hausmüll entsorgt werden. Alte Geräte sollen zur Sammelstelle gebracht werden, um das Recycling von Rohstoffen zu maximieren und deren Auswirkungen auf die menschliche Gesundheit und die Umwelt zu verringern. Das Symbol des durchgestrichenen Mülleimers auf dem Gerät bedeutet, dass das Gerät einer getrennten Sammlung zugeführt werden muss. Verbraucher sollen sich mit Ihren örtlichen Behörden in Verbindung setzen, um weitere Informationen zu erhalten.

Elektromos fali kandalló - Hőszugárzó + LED

HU

Jelmagyarázat

	Figyelem, veszély! Az ezzel a szimbólummal jelölt biztonsági előírásokat feltétlenül figyelembe kell venni. Figyelmen kívül hagyásuk súlyos és messzire nyúló egészségi ártalmakat, valamint mérhetetlen anyagi károkat okozhat.
	Fontos Információ! Itt magyarázó információkat és tippeket talál, amelyek segítik Önt ezen készülék optimális használatában.
	Olvassa el a kezelési útmutatót!
	Ne takarja le a készüléket!
	A terméket ne a háztartási szeméttel együtt ártalmatlanítsa, hanem a helyi gyűjtőhelyen adja le az anyag hasznosítására.
	A gombem telepeket ne a háztartási szeméttel együtt ártalmatlanítsa, hanem a helyi gyűjtőhelyen adja le az anyag hasznosítására.
	Hulladékszelektálás jelzése!
	A csomagolás környezetbarát ártalmatlanítása!
	Védje a nedvességtől!
	Csomagolási egység beállítása felül
	Törékeny csomagolt áru

Nincs is jobb, mint egy hideg, téli napon a kandalló előtt szerettünkkel összebújni. Ez a többfunkciós beépíthető kandalló tökéletes mása az eredeti kandallóknak: valóságos, lángoló effektet és izzó, parázsló fadarabokat tartalmaz, ugyanakkor fűtőtestként is kiválóan használható. A romantikus hangulat garantált. Hideg téli éjszakákon, igény szerint két teljesítmény szinten tudja állítani a hőszugárzó intenzitását (950 W, 2000 W), amely akár egy 30 m²-es helyiség alkalmankénti, időszakos fűtésére is alkalmas. Így nem csak a látvány, de a hőérzet is valóságos lesz. A hőmérséklet precíz szabályzásáról beépített termosztát gondoskodik, melyet a tartozék távirányító segítségével tud beállítani. A láng effekt a fűtés funkciótól függetlenül használható, így az év bármely napjában gyönyörködhet a kandallóban „égő tűz” varázslatos hangulatában. A tartozék kristályok még exkluzívabb megjelenést kölcsönöznek a kandalló „égésterének”.

- Biztonságosan üzemeltethető
- Nincs tűz, szikra és korom
- Két fűtési teljesítmény, nagy fűtőerő jellemzi
- Heti időzíthetőség
- Túlmelegedés védelem
- Masszív váz
- Falba süllyeszthető
- A fényeffekt külön is kapcsolható, állítható fényerő
- Romantikus hangulat a bekapcsolás első percétől
- Megtévesztően hasonlít a valódi kandallókra

Figyelem! A burkolat egyes pontjai a hőszugárzás hatására átmelegedhetnek!

Kivétel:	Falba építhető, süllyeszthető
Energiaforrás:	AC 220 - 240 V, ~ 50/60 Hz
LED teljesítmény:	1.6 W
Fűtési teljesítmény:	950 - 2000 W
Ajánlott felhasználás:	max. 30 m ² helyiségben
Üzemi hőmérséklet:	15 °C - 30 °C
Tárolási hőmérséklet:	15 °C - 30 °C
Közvetlen hőteljesítmény:	950 - 2000 W
Energiabesorolás (EU2021):	„G” osztály

Kedves Vásárló! Köszönjük, hogy termékünket választotta, reméljük sokáig örömet leli használatában.

Beépített termosztát:	Igen, manuális
Védelem:	IP20
Túlmelegedés elleni védelem:	Yes
Zajszint:	50 dB
Tápkábel hossza:	140 cm
Anyag:	Fém + üveg
Méret:	91 x 15 x 48 cm
Szín:	Fekete
LED:	5 V, min 2 - max 3 lumen/LED (20 mA), 2700 Kelvin

Ez a termék egy „G” energiahatékonysági osztályú fényforrást tartalmaz!

HASZNÁLATI ÚTMUTATÓ

Biztonsági előírások, figyelmeztetések



VESZÉLY!

Általános tanácsok: Fulladásveszély! Kérjük a készülék csomagolását tartsa távol gyermekektől, mert fulladáshoz vezethet. A készüléket kizárólag felnőttek használhatják, a tárolás helyét úgy kell megválasztani, hogy gyermekek véletlenül sem férhetnek hozzá. A készülékkel gyermekek nem játszhatnak.

Áramütésveszély: Soha ne üzemeltesse a készüléket nedves, vizes kézzel! A készülék megérintése, beleértve a hálózati dugóját, kábelét és érintőpaneljét is nedves kézzel szigorúan tilos! A készüléket csak a megfelelő feszültséggel rendelkező váltóáramhoz szabad csatlakoztatni. Ne irányítsa a készüléket közvetlenül elektromos berendezésekre, mert azok belsejébe juthat a forró levegő és károsíthatja azt. Ne használja a készüléket vizet tartalmazó kád, zuhanyzó, medence, mosogató közelében. A készüléket csak a hálózati dugójánál fogva csatlakoztassa le az aljzatról. A készülék kábelét soha ne vezesse a készülék előlapján!

Üzemeltetés: Használat előtt bizonyosodjon meg a környezeti előírásokról! Tilos a készüléket robbanásveszélyes helyen használni! Speciális helyeken történő használat esetén (pl.: töltőállomások, fürdők) a helyi biztonsági szabályozást követve kell eljárni! A készülék helyét tervezze meg, mérje ki, a telepítés előtt használjon mérőszalagot! A készüléket tilos bármivel letakarni (lepedővel, takaróval)! A tüzesetek elkerülése érdekében a készülék elé ne rakjon 2 méteres körzetébe semmilyen bútort, tárgyat! A készüléket nem szabad időzítővel ellátott konnektorral üzemeltetni! A készülék nem alkalmas helyiségek elsődleges fűtési forrásaként. A készüléket alkalmankénti, időszakos (rövid ideig történő) fűtésre tervezték.



FIGYELMEZTETÉS!

Általános tanácsok: A készüléket csak rendeltetészerűen szabad használni! A használat során ügyeljen a környezetében tartózkodók (különösen gyermekek) testi épségére és biztonságára. A készüléket csak olyan személyek használhatják, akik ezt a használati útmutatót elolvasták, megértették és ennek megfelelően tudják üzemeltetni a készüléket! Csökkent szellemi, fizikai vagy érzékelő képességgel rendelkező személyek nem használhatják a készüléket! Gyermekek nem használhatják a készüléket! Ügyeljen arra, hogy a készülék használatát követően a forró készülék jól szellőző helyen tudjon hűlni, mégse okozzon személyi sérülést senkinek! Tájékoztassa a környezetében lévő személyeket a készülék üzemleleg állapotáról!

Áramütésveszély: Csak olyan hálózati aljzathoz csatlakoztassa a készüléket, amelynek biztonságos működéséről meg van győződve, illetve szakember telepítette IEC 60364-1 szabvány alapján. Minden használat előtt győződjön meg a készülék és a hálózati kábel, csatlakozó sértetlenségéről! Csak sértetlen készüléket szabad üzemeltetni! Ha bármilyen sérülést tapasztal, a készüléket tilos használni, forduljon szakszervizhez! A használat során ügyeljen a hálózati kábel épségére, kerülje az olyan éleket, tárgyakat, amelyek sérülést okozhatnak a kábel felületén. Kerülje a hosszabbító kábelek, elosztók használatát, mert veszélyforrásnak minősülnek az üzemeltetés során. A készüléket mindig csatlakoztassa le a villamos hálózatról ha nem használja! Karbantartási munkákat csak kihúzott hálózati csatlakozódugó mellett szabad végezni!

Üzemeltetés: Égési sérülés veszély! Soha ne érintse meg a készülék hősugárzó részét (alsó rész)! Az égési sérülések elkerülése végett a készülékház megérintése előtt mindig hagyja lehűlni a készüléket! A készüléket csak gyári tartozékkal teljesen összeszerelve szabad üzemeltetni! Ha bármelyik alkatrész sérült, használat előtt pótolni kell azt újjal. A készüléket tárolás előtt hagyja teljesen lehűlni jól szellőző helyen. A készüléket használat közben időközönként ellenőrizze, hogy nem melegedett-e túl, a szellőzőnyílások nincsenek-e eltömődve.



VIGYÁZAT!

Általános tanácsok: Ne használja a készüléket ha korábban elejtette vagy odaütötte valamihez és szemmel láthatóan károsodott az! A biztonsági berendezéseket kötelező rendeltetészerűen használni, azokat módosítani vagy kiiktatni szigorúan tilos!

Üzemeltetés: A készüléket mindig a leírásnak megfelelően üzemeltesse és tárolja! Minden esetben ellenőrizze a készülék, a kábel, a csatlakozó és a tartozékok sértetlenségét! Károsodás esetén ne használja a készüléket!



FIGYELEM!

Üzemeltetés: Csak fagyponot, 0 °C felett használja a készüléket a páralecsapódás és áramütés elkerülése érdekében. Soha ne

hagyja felügyelet nélkül a készüléket, ha az csatlakoztatva van a hálózati áramforráshoz! Óvja a készüléket nedvességtől, víztől! Ne tárolja a készüléket nagy hőmérsékletingadozásnak, időjárási viszonyoknak kitéve, külső térben.

FIGYELEM!

A termék bizonyos alkatrészei felforrósodhatnak, és égési sérülést okozhatnak. Fokozott figyelmet igényel gyermekek közelében.

FIGYELEM!

A hőszugárzó nem tartalmaz készüléket a szobák hőmérsékletének szabályozásához. Ne használja felügyelet nélkül olyan szobában, melyben olyan ember van, aki azt nem képes elhagyni.

FIGYELEM!

Maradjon legalább 100 cm hely szabadon a hőszugárzó felett és 200 cm a hőszugárzó előtt. Sose használja a hőszugárzó olyan szobában, amelyben gyúlékony, robbanékony olaj, benzin vagy gáz van.

TELEPÍTÉSI UTASÍTÁSOK:

A telepítés során úgy kell megtalálni a készülék helyét, hogy az nedvességgel ne érintkezzen, közvetlen környezetében ne menjenek fűtőcsövek, gázcsövek vagy villamos hálózat vezetékai. A készüléket legalább 30 cm magasra telepítse úgy, hogy a mennyezet és a készülék közötti távolság legalább 100 cm legyen. Javasoljuk a készülék alsó része a talajtól mért 60 cm-es magasságba helyezze, így biztosítja a legjobb vizuális élményt a kandallóban lobogó tűz.

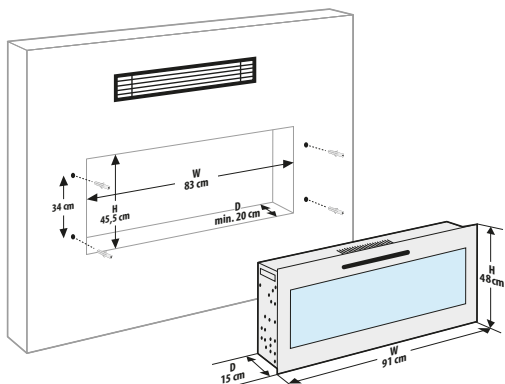
FIGYELEM! A készüléket súllyesztett formában kizárólag gipszkarton falba, vagy külön erre a célra, fából épített falba, dobozba szabad telepíteni. A telepítés során gondoskodjon a készülék megfelelő szellőzéséről. A kandalló tetején és alján található szellőzőnyílásokon keresztül kerülnek hűtésre a belső áramkörök, alkatrészek. Ezek szellőzésére biztosítani kell megfelelő méretű légteret, leszigetelni, eltakarni ezt a részt nem szabad.

FIGYELEM! Ettől eltérni csak akkor szabad, ha a készülék falon kívül történő elhelyezése mellett dönt. Ilyen esetben téglá, beton, szilikát és egyéb falakra történő rögzítése is lehetséges.

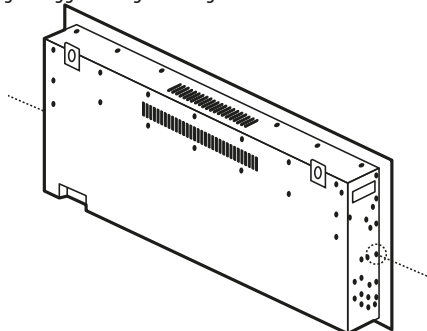
FIGYELEM! A készülék telepítését csak szakember végezheti! A biztonságos telepítéshez két ember szükséges!

SÚLLYESZTETT TELEPÍTÉS:

A tartozékban található rögzítési kellekék gipszkarton és fa felületre történő súllyesztett rögzítést tesznek lehetővé! **Installálás előtt ellenőrizze, hogy megfelelő teherbírással rendelkezik a falrész és megfelelő tápellátást tud biztosítani az adott helyen a készülék számára. Fa felületre történő rögzítéskor nem szükséges előfúrni a lyukakat és tiplit használni a csavarokhoz!**



1. Válassza ki a falat ahová fel szeretné tenni a készüléket, majd vágjon az ábra szerint egy megfelelő méretű lyukat a készüléknek! A lyuk kijelöléséhez használjon vízmértéket, ceruzát. A kivágáshoz anyagtól függően megfelelő fogazású fűrész.



2. Vegye le a készülék üveg elejét. Távolítsa el a készülék oldalán található csavarokat mindkét oldalán. A készülékház közepén találja ezeket a csavarokat, a készülék tetejétől számolva a 4. csavar lefelé.

FIGYELEM! A készülék előlapja üvegből készült! Óvatosan kezelje! Az összetört üveg vágási sérüléseket okozhat! Helyezze az üveglapot egy tiszta, puha felületre!

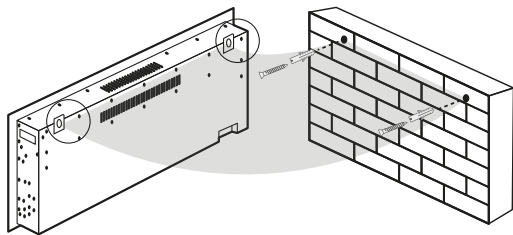
3. Helyezze a készüléket a korábban kivágott lyukba és jelölje át a 4 rögzítési pont helyét. Vegye ki a készüléket. Gipszkartonba történő rögzítés esetén fúrja ki a lyukakat és helyezze a gipszkarton tiplitket a lyukakba.

4. Helyezze az égéstérbe a fa dekorációt, vagy igény esetén a tartozékként kapott „kristályokat” és rendezze el ízlésének megfelelően őket.

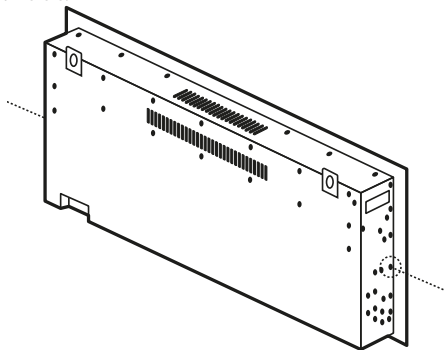
5. Kérjen segítséget az üveg előlap visszahelyezéséhez. A készülék két oldalán található rögzítő csavar segítségével rögzítse vissza az előlapot a kandallóháza (a fal síkjánál, oldalról tudja ezt végrehajtani).

6. Ellenőrizze, hogy a készülék kikapcsolt állapotban van. Csatlakoztassa a készülék hálózati dugóját a hálózati aljzathoz. A készülék sipolással jelzi, hogy üzemenkész állapotba került.

FALON KÍVÜLI TELEPÍTÉS (NEM SÜLLYESZTETT):



1. Fúró segítségével fúrja ki a konzolt rögzítő lyukakat. A fúráshoz használjon 8 mm-es fúrószárat. A lyukak mélysége legalább 26 mm mély legyen. Ettől kisebb rögzítési méretet ne használjon!
2. A tartozékként kapott tipliket üsse bele a lyukakba, amíg azok a fal síkjával egyvonalba nem kerülnek.
3. Egy csavarhúzó vagy behajtó segítségével csavarja be a csavarokat, úgy, hogy azok a fal síkjától 3-4 mm-re legyenek!
4. Akassza a kandallót a csavarokra és bizonyosodjon meg annak stabil, pontos illeszkedéséről. Igény esetén állítson a csavarok pozícióján, hogy biztonságosan rögzítve legyen a kandalló a falon.
5. Vegye le a készülék üveg elejét. Távolítsa el a készülék oldalán található csavarokat mindkét oldalon. A készülékház közepén találja ezeket a csavarokat, a készülék tetejétől számolva a 4. csavar felé.



Figyelem! A készülék előlapja üvegből készült! Óvatosan kezelje! Az összetört üveg vágási sérüléseket okozhat! Helyezze az üveglapot egy tiszta, puha felületre!

6. A készülék kábelének elvezetésére ügyeljen, ne törjön meg a kábel és ne találkozzon éles felülettel. A kábel ne érintkezzen a készülékházzal, mert az a használat során átforrósodhat.
7. Helyezze az égésterbe a fa dekorációt, vagy igény esetén a tartozékként kapott „kristályokat” és rendezze el ízlésének megfelelően őket.
8. Kérjen segítséget az üveg előlap visszahelyezéséhez. A készülék két oldalán található rögzítő csavar segítségével rögzítse vissza az előlapot.

9. Ellenőrizze, hogy a készülék kikapcsolt állapotban van. Csatlakoztassa a készülék hálózati dugóját a hálózati aljzathoz. A készülék sípolással jelzi, hogy üzembesz állapotba került.


HOGYAN HASZNÁLJUK A KÉSZÜLÉKET


A kandallót kétféleképpen irányíthatjuk:

1. A kandallón lévő érintőfelület segítségével
2. A tartozék távirányítóval



Az ikonok a kandalló érintőfelületén és a távirányítón ugyanazokat a funkciókat szolgálják.

A kandalló vezérlése során kérjük vegye figyelembe, hogy egy pár másodpercre szükség van, míg a vezérlőegység megkapja az adott utasítást és feldolgozza azt.


Kandalló Be/Ki kapcsolás gomb: Nyomja meg a  gombot az érintőpanelen vagy a távirányítón majd egy rövid hangot hallhat, az elektromos kandalló bekapcsol, a bekapcsoló ikon kéken, a többi gomb pedig fehéren fog világítani, a kijelzőn megjelenik a szobahőmérséklet.

Készülék leállítása: Nyomja meg a  gombot az érintőpanelen vagy a távirányítón ekkor egy rövid jelzést hallhatunk, a fény kialszik és kikapcsol a kandalló, beleértve a fűtést is. A POWER jelzés pirosan fog világítani, mind a készüléken mind a távirányítón, a készülék belsejében lévő ventilátor kikapcsolás után még 10 másodpercig működni fog majd leáll, ezután a kandalló készenléti állapotba kerül.

Magas és alacsony hőmérséklet beállítás:

Tartsa nyomva 3 másodpercig a  gombot a kandalló kezelőfelületén, ekkor átvált az eszköz °C és °F között. (Megjegyzés: Ez a funkció nem elérhető a távirányítón.) Indulási hőmérséklet 22 °C (72 °F), ha a szobahőmérséklet ettől alacsonyabb akkor az eszköz magas fűtési üzemmóddal indul, ha váltani szeretne alacsony fűtési üzemmódra, akkor nyomja meg a  gombot, hogy átváltson (első megnyomás után a kijelzőn megjelenik a jelenlegi üzemmód, ismételt megnyomás után átvált a kívánt módba, ha megegyezően megnyomja a gombot akkor kikapcsolja a fűtési módot. (H / L / O = magas / alacsony / kikapcsolt fűtés)). Minden váltás után egy hangjelzést hallhat, ha szeretné kikapcsolni a fűtés funkciót, akkor a hőmérsékletet is csökkentheti „DOWN” gombbal.

Időzítő beállítás:

Az időzítőt 0 - 12 óráig állíthatja, Bekapcsolás után az időzítő 0 órára van állítva, Az időzítőt állíthatja a készüléken lévő érintő panellel vagy a távirányítóval a  gomb megnyomásával, Miután működésbe lépett a kandalló és megnyomta a TIME gombot a kijelzőn „00” fog villogni, ezután ahányszor megnyomja a TIME gombot az óra változni fog.

(00-30-1H-2H-3H-4H-5H-6H-7H-8H-9H-10H-11H-12H).

Ha elérte az időzíteni kívánt időt, ne nyomja tovább a gombot. Miután a kijelző 10 másodpercig villog és nincs állapotváltozás a kijelzőn újra a szobahőmérséklet lesz látható.

Hőmérséklet növelő gombok:

Hőmérséklet változtatási sáv 15 °C (60 °F)-tól 36 °C (97 °F)-ig, (alapértelmezett hőmérséklet 22 °C / 72 °F), nyomja meg a felfelé ▲ gombot és minden megnyomás után a hőmérséklet 1 °C / 1 °F fog emelkedni. Hosszabb nyomvatartás után a hőmérséklet folyamatosan emelkedni fog. (Megjegyzés ez a funkció távirányítón keresztül nem működik.) Mikor hőmérséklet beállítás módban van, a kijelzőn villogni fog a hőmérséklet rész. Ha 10 másodperc nem nyom meg semmilyen gombot a kijelző visszaáll alaphelyzetbe.

Hőmérséklet beállítás:

Hőmérséklet változtatási sáv 15 °C (60 °F)-tól 36 °C (97 °F)-ig, (alapértelmezett hőmérséklet 22 °C / 72 °F), nyomja meg a lefelé ▼ gombot és minden megnyomás után a hőmérséklet 1 °C / 1 °F fog csökkenni. Hosszabb nyomvatartás után a hőmérséklet folyamatosan csökkenni fog. (Megjegyzés ez a funkció távirányítón keresztül nem működik.) Mikor hőmérséklet beállítás módban van, a kijelzőn villogni fog a hőmérséklet rész. Ha 10 másodperc nem nyom meg semmilyen gombot a kijelző visszaáll alaphelyzetbe.

Fényerő állítási (DIMMER) funkció :

A láng fényerő alaphelyzetben maximumon van. Láng fényerőnek 5 fokozata van. Ha megnyomja a DIMMER 🔥 gombot akkor a fényerő csökkenni fog és minden egyes megnyomás után csökkenni fog a fényerő ha a kijelző -1et mutat, akkor elérte a legsötétebb módot, ha ismét megnyomja a DIMMER 🔥 gombot akkor visszaáll alaphelyzetbe (legvilágosabb mód)

Láng színének változtatása:

Alaphelyzetben a láng narancssárga ha megnyomja a COLORMODE 🔒 gombot a távirányítón, a kijelző hőmérséklet kijelzése átvált szín kijelzésre: (C1, C2, C3, C4, C5 , C6 , C7, C8, C9)

Minden egyes gomb nyomásnál színt fog váltani:

- (C1) narancs, (C2) zöld, (C3) kék, (C4) fehér, (C5) zöld + narancs,
- (C6) narancs + kék, (C7) narancs + fehér,
- (C8) zöld + kék, (C9) zöld + fehér

Gyerekszár funkció:

Az elektromos kandallónak van zárfunkciója, amit a távirányító és a panel segítségével is aktiválhat, használat befejeztével nyomja meg a „fel” és „le” gombot egyszerre 3 másodpercig, vagy a gyerekszár 🔒 gombot tartva nyomva a távirányítón. Ezután egy hangot fog hallani, ami jelzi hogy lezárta a kandallót, A gombok

nem üzemelnek. Ha ismét vezérelni akarja a készüléket tartsa nyomva a „fel” és „le” gombot 3 másodpercig vagy a távirányítón a gyerekszár gombot 1 másodpercig, ekkor egy hang jelzést hallhat és felold a gyerekszár.

Óra beállítás: Nyomja meg a hour **HOUR** gombot egyszer az óra egység beállításához (beállítási tartomány 00 - 23)

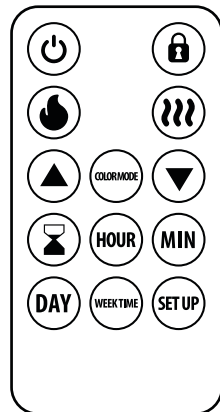
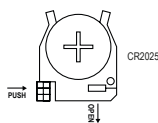
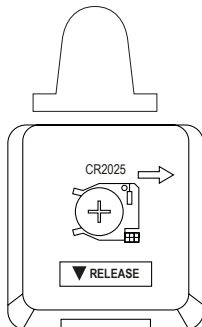
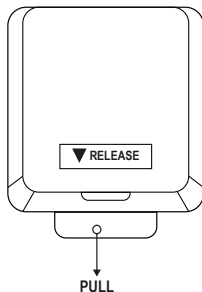
Perc beállítás: Nyomja meg a gombot **MIN** egyszer, így hozzáad egy percet (beállítási tartomány 00 - 59)

Hét napjainak beállítása: Nyomja meg a gombot **DAY**, minden megnyomással a napot jelző ikon balról jobbra ugrik, és felvillan.

Heti időzítő funkció: Az elektromos kandalló rendelkezik egy heti on/off időzítő funkcióval. **WEEKTIME** gomb.

Heti időzítő beállításai: Be - és kikapcsolás időzítő aktiválása. **SETUP** gomb. (Kérjük ne időzítse olyan időpontra a kandallót, amikor nem tudja annak működését felügyelni!)

VEZÉRLÉS TÁVIRÁNYÍTÓVAL:



Távolítsa el a távirányító elemtartójánál lévő fóliát, ekkor a távirányító üzemműködés állapotba kerül. Használja ugyanazokat a gombokat, amiket a kandalló kezelőszervén megtalált. A távirányító vezérlése infra technológiával működik, így irányítsa a távirányítót a vezérelni kívánt kandalló felé. Az infra jel maximum 4-5 méter távolságból működik, törekedjen arra, hogy a vezérlés során semmilyen tárgy vagy személy ne kerüljön Ön és a kandalló közé.

Hőmérséklet korrekció: Ha azt tapasztalja, hogy a készülék hőmérséklet mérése pontatlan, lehetősége van finomhangolásra, kalibrálásra. Ehhez nyomja 3 másodpercig a „TIME” felirattal ellátott

gombot **TIME**. A kijelző villogó módban van ekkor. A kijelzőn a 0 felirat fog megjelenni, melyet a + és – gombok megnyomásával módosíthat. Ezáltal a mért hőmérsékletet növelheti vagy csökkentheti a beállított °C értékkel. Finomhangolásra -9 és +9 fok közötti tartományban van lehetőség.

Túlmelegedési védelem: Ha a készüléket túlmelegszik valami miatt, akkor automatikusan kikapcsol. Távolítsa el minden tárgyat, ami a túlmelegedést okozta. A kandalló biztonságos újraindításához szüntesse meg a tápellátást 15 percre. Miután a készülék lehűlt újra be fog kapcsolni.

Tisztítás: Tisztítás előtt mindig kapcsolja ki, húzza ki és hagyja lehűlni a készüléket. A por eltávolításához használjon száraz rongyot vagy porszívót. A készülékházat csak enyhén nedves törölkendővel szabad áttörölni, ügyeljen rá, hogy a készülékbe ne kerüljön nedvesség! Ne használjon vegyszereket, alkoholt a tisztítás során!

Tárolás: Száraz hűvös helyen tárolja. Ne dobja el a termék dobozát. Használhatja a készülék tárolására ha nem használja azt. Figyelem a készüléket csak akkor helyezze vissza dobozába ha az megfelelően lehűlt.

MŰKÖDÉSI HIBÁK

Porbléma	Ok	Megoldás
A kandalló kikapcsol és nem kapcsol vissza	A kandalló túlmelegedett és a biztonsági egység lekapcsolta vagy az áramköri megszakító nyitott állapotban van. Laza kábelek, vezetékek, rossz csatlakozás	Húzza ki a hálózati csatlakozót, várjon 5 percet majd dugja vissza

A láng nem mozog	Láng motor elromlott	Keressen fel szakértőt, aki ki tudja cserélni a kandalló motorját
A láng nem látható	Láng egység nincs a helyén	Láng rúd nincs a helyén, szállítás alatt elmozdulhatott. Ez a probléma megoldható, az üveg panel eltávolításával majd fordítsuk fejfel lefelé a készüléket távolítsa el néhány csavart amik a helyén tartják a láng rudat, majd mozdítsa a helyére. Ha elbizonytalanodott kérjen szakértői segítséget.
Tűzifa nem izzik	Parázs ki van kapcsolva	Kapcsolja a láng gombot magas állásba
Távirányító nem működik	Alacsony akkumulátor töltöttség	Cserélje ki az elemet
	Nem az eszköz felé tartja a távirányítót	Íranyítsa a távirányítót a készülék felé, pontosabban a az üvegpanel közepére a tűzifa felé.
	Elromlott a távirányító és/vagy az érzékelő	Cserélje ki a távirányítót és vagy szenzort



A készülék megfelelő kidobása (Elektromos készülék)

(Érvényes az Európai unióban és minden egyéb európai államban, akik szelektív gyűjtésben részt vesznek) A 2012/19/EU irányelvek szerint az elektromos hulladékokat és készülékeket nem lehet háztartási hulladékok közé kidobni. A régi készülékeket gyűjtőbe kell helyezni, hogy maximalizálni, lehessen az alapanyagok újrahasznosítását így csökkentve az emberek egészségére és a környezetre kifejtett hatásukat. Az áthúzott szeméttároló szimbólum minden olyan terméken szerepel, amelyekre a külön gyűjtés kötelező. A fogyasztók a helyi hatóságoktól érdeklődjenek további információról.

Elektrický nástěnný krb - Ohříváč + LED

CZ

Legenda



Pozor, nebezpečí!

Je třeba dodržovat bezpečnostní předpisy označené tímto symbolem. Jejich ignorování může způsobit vážné a dalekosáhlé škody na zdraví, jakož i velké materiální škody.



Důležitá informace!

Zde najdete informace a tipy, které Vám pomohou při optimálním používání zařízení



Přečtěte si návod k použití



Zařízení nezakrývejte!



Výrobek nelikvidujte spolu s komunálním odpadem, ale předejte jej na místním sběrném místě k recyklaci.



Nelikvidujte knoflíkové baterie spolu s komunálním odpadem, ale předejte je na místním sběrném místě k recyklaci.



Indikace třídění odpadu!



Ekologická likvidace obalů!



Chraňte před vlhkostí!



Nastavení balicí jednotky nahoru



Křehké balené zboží

a obsahuje doutnající kousky dřeva, ale je možné jej použít i jako kúrenie. Krb můžete jednoduše připevnit na jakoukoliv stenu. Romantická atmosféra je zaručená. očas chladných zimních dnů můžete krb používat podle potřeby na dvou stupních výkonu (950 W, 2000 W), který může být vhodný na občasné vykorenie místnosti s rozlohou 30 m². Takto bude realistický nejen vzhled, ale i pocit tepla. Presnú regulaci teploty zajišťuje zabudovaný termostat, který lze nastavit pomocí dálkového ovladače, který najdete v příslušenství. Efekt plamene je možné použít nezávisle na funkci vytápění, takže můžete kdykoliv v roce obdivovat kouzelnou atmosféru „hořícího ohně“ v krbu. kameny které najdete v příslušenství dodávají exkluzivní vzhled.

- Bezpečné provozování
- Žádný oheň, jiskry nebo saze
- Má dvě topné kapacity a vysoký topný výkon
- Týdenní načasování
- Ochrana proti přehřátí
- Masivní konstrukce
- Silná nástěnná konzola
- Světelný efekt je možné přepínat zvlášť, nastavitelný jas
- Romantická atmosféra od první minuty po zapnutí
- Výborná replika opravdového krbu

Pozor! Některé body na krytu se mohou přehřát v důsledku tepelného záření!

Provedení:	Vestavné do stěny
Zdroj energie:	AC 220 - 240 V, ~ 50/60 Hz
Výkon LED:	1.6 W
Topný výkon:	950 - 2000 W
Doporučené použití:	max. 30 m ² místnost
Teplota skladování:	15 °C - 30 °C
Storing temperature:	15 °C - 30 °C
Přímý tepelný výkon:	950 - 2000 W
Energetické hodnocení (EU2021):	„G“ třída
Zabudovaný termostat:	Áno, manuální
Třída krytí:	IP20

Vážený zákazníku! Děkujeme, že jste si vybrali náš produkt. Doufáme, že dlouhodobě bude uspokojovat vaše potřeby.

Nic není lepší než během chladného zimního dne se tulit s vaší polovičkou před krbem. Tento vícefunkční vestavěná krb je výbornou replikou opravdového krbu: vytváří realistické plameny

Ochrana proti přehřátí:	Áno
Úroveň hluku:	50 dB
Délka kabelu:	140 cm
Materiál:	Kov + sklo
Rozměr:	91 x 15 x 48 cm
Barva:	Černá
LED:	5 V, min 2 - max 3 lumen/ LED (20 mA), 2700 Kelvin

Tento produkt obsahuje světelný zdroj třídy energetické účinnosti „G“!

NEBEZPEČÍ

Obecné rady: Nebezpečí udesenia! Balení přístroje držte mimo dosah dětí, protože může způsobit udušení. Přístroj mohou používat pouze dospělí osoby, místo skladování zvolte tak aby se k němu nemohly dostat děti. Děti se nesmí hrát s přístrojem.

Nebezpečí úrazu elektrickým proudem: Nikdy neprovozujte přístroj mokřyma, vlhkými rukama. Je přísně zakázáno dotýkat se přístroje včetně síťové zástrčky a kabelu mokřyma rukama. Přístroj musí být připojen ke zdroji střídavého proudu pouze se správným napětím. Nemiřte přístrojem přímo mě elektrická zařízení, protože by mohl vniknout horký vzduch a poškodit ho. Nepoužívejte přístroj v blízkosti vany, sprchy, bazénu nebo umyvadla s vodou. Vytáhněte zástrčku přístroje ze zásuvky.

Provozování: Před použitím se ujistěte o enviromentálních předpisech. Nepoužívejte přístroj ve výbušném prostředí! Při použití na zvláštních místech (např. Čerpat ce stanice, lázně ...) musí být dodrženy místní bezpečnostní předpisy! Umístěte přístroj vodorovně a stabilně, dbejte na to, aby se přístroj nesklopil nebo nepřevrátil! Nezakrývejte přístroj ničím (prostěradla, příkrývky ...)! Abyste zabránili požáru, neumísťujte přístroj blíže než 2 m od nábytku, předmětů nebo stěn! Spotřebič se nesmí provozovat ze zásuvky s časovačem! Spotřebič není vhodný jako primární zdroj vytápění pro místnosti. Spotřebič je navržen na přerušované (krátkodobé) vytápění.

UPOZORNĚNÍ

Obecné rady: Přístroj je možné používat jen podle předpisů. Během používání dbejte na bezpečí lidí ve vašem okolí (hlavně děti). Přístroj mohou používat pouze osoby, které si přečteny, pochopili tento návod k použití a jsou schopny používat přístroj podle předpisů. Osoby se sníženými mentálními, fyzickými nebo smyslovými schopnostmi nesmí přístroj používat. Děti nemohou používat přístroj. Po použití se ujistěte, že horký spotřebič ochladí na dobře větraném místě a nezpůsobí zranění. Informujte své okolí o provozním stavu zařízení.

Nebezpečí úrazu elektrickým proudem: Přístroj připojujte pouze do síťové zásuvky, která je bezpečná pro provoz nebo byla nainstalována odborníkem v souladu s normou IEC 603364-1. Před každým použitím se ujistěte o tom zda jsou přístroj, síťový kabel a konektory neporušené. Pokud narazíte na jakékoliv poškození, nepoužívejte přístroj, obraťte se na odborný servis! Během používání dávejte pozor na celistvost napájecího kabelu a vyhýbejte se okrajem nebo předmětem, které by mohly poškodit povrch kabelu. Nepoužívejte prodlužovačky nebo rozdělovače, protože jsou během provozu zdrojem nebezpečí. Pokud přístroj nepoužíváte, odpojte jej vždy od sítě! Údržbařské práce se smí provádět pouze s vytaženou síťovou zástrčkou!

Provozování: Nebezpečí popálení. Nikdy se nedotýkejte části ohříváče (spodní část) ani ji nemiřte do blízkosti jiných lidí nebo zvířat. Abyste předešli popáleninám vždy nechte přístroj vychladnout před tím jako byste se ho dotkli. Přístroj se smí provozovat pouze pokud je zcela sestaven s výrobním příslušenstvím. Ak je některá část poškozena, musí se před použitím vyměnit. Před uskladněním nechte přístroj zcela vychladnout na dobře větraném místě. Během používání pravidelně kontrolujte, zda se přístroj nepřehřívá a zda nejsou zablokovány ventilační otvory.

POZOR:

Obecné rady: Nepoužívejte přístroj, pokud jste Vám již spadl nebo narazil a je viditelně poškozen! Je přísně zakázáno používat, upravovat nebo deaktivovat bezpečnostní zařízení podle určení!

Provozování: Přístroj vždy obsluhujte a skladujte podle pokynů! Vždy zkontrolujte celistvost zařízení, kabelu, konektoru a příslušenství. V případě poškození přístroj nepoužívejte!

VÝSTRAHA:

Provozování: Spotřebič používejte pouze při teplotách nad bodem mrazu nad 0 °C abyste zabránili kondenzaci a úrazu elektrickým proudem. Nikdy nenechávejte přístroj bez dozoru, když je připojen k elektrické síti! Chraňte přístroj před vlhkostí a vodou! Neponechávejte přístroj venku při vysokých teplotách.

POZOR!

Některé části produktu se mohou zahřívát a způsobit popáleniny. Vyžaduje zvýšenou pozornost v blízkosti dětí.

Pozor! Přístroj lze zabudovat pouze do stěny ze sádkkartonu, do stěny vyrobené speciálně na tento cíl ze dřeva nebo do bedny ze dřeva. Zajistěte, aby bylo zařízení během instalace správně větrané. Vnitřní okruhy a komponenty jsou chlazeny ventilačními otvory v horní a spodní části krbu. Na jejich větrání musí být zajištěn vzduchový prostor přiměřené velikosti, tato část nesmí být izolována nebo zakryta.

Pozor! Od tohoto byste se měli odchýlit, pouze pokud se rozhodnete umístit zařízení mimo stěnu. V takovém případě je také možné jej připevnit na cihlové, betonové, silikátové a jiné stěny.

Pozor! Instalaci přístroje smí provádět pouze odborník! Na bezpečnou instalaci jsou zapotřebí dvě osoby!

SPECIÁLNÍ POŽADAVKY

POZOR!

Ohřívač neobsahuje zařízení k regulaci teploty místnosti. Nepoužívejte ho v doozoru v místnosti kde jsou lidé, kteří ji nemohou opustit.

POZOR!

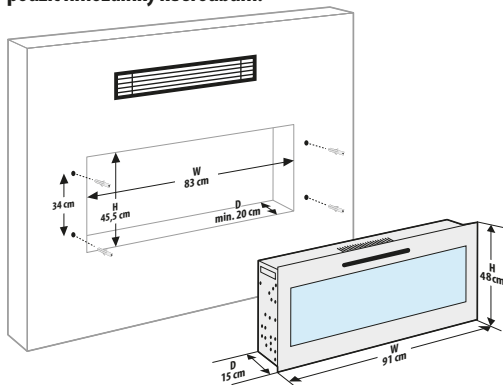
Nad ohřívačem nechte volné místo alespoň 100 cm a před ohřívačem 200 cm. Nikdy nepoužívejte přístroj v místnosti, v níž se nachází hořlavý nebo výbušný olej, benzín nebo plyn.

NÁVOD K INSTALACI:

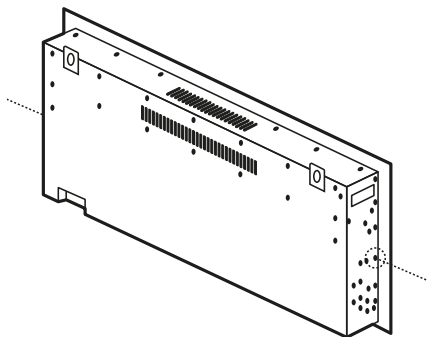
Během instalace musí být umístění spotřebiče umístěny tak, aby nepřicházelo do styku s potrubím na odvod vlhkosti nebo tepla, plynovodem nebo elektrickým vedením v jeho bezprostřední blízkosti. Instalujte přístroj minimálně do 30 cm výšky tak, aby vzdálenost mezi stropem a přístrojem byla nejméně 100 cm. Doporučujeme umístit spodní část přístroje do výšky 60 cm od země, aby se zajistil nejlepší vizuální zážitek při hoření ohně.

ZAPUŠTĚNÁ INSTALACE:

Montážní příslušenství, které je součástí balení, umožňuje zapsušenou montáž na sádkokarton a dřevěné povrchy! Před instalací se ujistěte, zda má stěnová část správnou nosnost a zda je v daném místě schopna napájet zařízení. Při upevňování na dřevěný povrch není třeba otvory předvrtat a použít hmoždinky ke šroubům.



1. Vyberte stěnu, na kterou chcete umístit spotřebič, a potom vyřežte otvor správné velikosti pro spotřebič, jak je to znázorněno. Pomocí vodováhy a tužky označte otvor. Pilu se správnými zuby na řezání, v závislosti na materiálu.



2. V případě instalace do sádkokartonové stěny hmoždinky do dř. 3. Odstraňte skleněnou část ze zařízení. Odstraňte šrouby na obou stranách zařízení. Tyto šrouby najdete uprostřed krytu, od horní části zařízení šrouby počítajíc směrem dolů.

Pozor! Přední kryt zařízení je vyroben ze skla! Zacházejte s ním opatrně. Zlomené sklo může způsobit zranění! Skleněný kryt položte na měkkou plochu

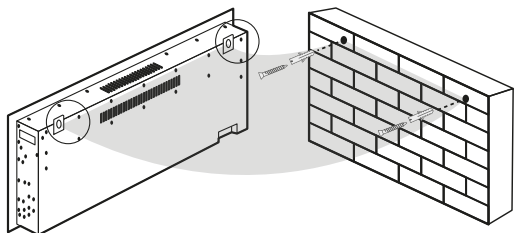
4. Vložte krb do připraveného otvoru a zajistěte jej 4 šrouby. Dejte pozor, abyste neprotrhli kabel stroje, nebo nedotkli se ostrého povrchu. Dejte pozor, aby kabel nepřišel do kontaktu s krytem, protože by se mohl během používání zahřát.

5. Vložte dřevěnou dekoraci nebo podle potřeby dodány „krystaly“ do spalovací komory a uspořádejte je podle svého vkusu.

6. Požádejte o pomoc při umístění skleněného krytu. Pomocí upevňovacích šroubů na obou stranách přístroje připevněte přední panel zpět ke krytu krbu (v rovině stěny, můžete to udělat z boku).

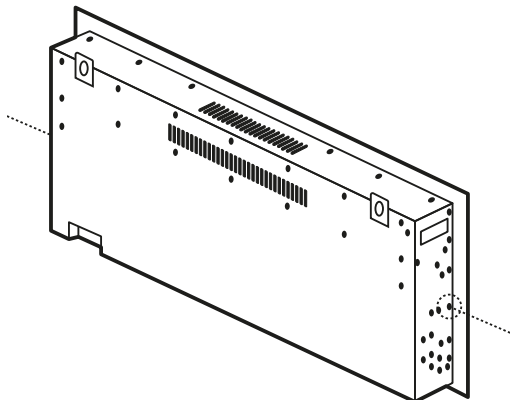
7. Zkontrolujte, zda je zařízení vypnuto. Zapojte síťovou zástrčku přístroje do síťové zásuvky. Zařízení pipáním oznamuje, že je připraveno k provozu.

INSTALACE MIMO STĚNY (NE ZAPUŠTĚNÉ):



1. Pomocí vrtačky vyvrtejte otvory pro montáž držáku. Na vrtání použijte 8 mm vrták. Hloubka otvorů musí být nejméně 26 mm hluboká. Nepoužívejte menší montážní

2. Vložte dodané hmoždinky do otvorů, dokud nebudou zarovnané s rovinou stěny
3. Pomocí šroubováku zašroubujte šrouby tak, aby jejich hlavy byly 3-4 mm od roviny stěny.
4. Zavěste krb na šrouby a ujistěte se o stabilním a přesném držení. Pokud je to nutné, upravte polohu šroubů, které připevňují krb ke stěně.
5. Odstraňte skleněnou přední část zařízení. Odstraňte šrouby na obou stranách zařízení. Tyto šrouby najdete uprostřed krytu, přišroubujte 4 z horní části krytu.



Pozor! Přední kryt zařízení je vyroben ze skla! Zacházejte s ním opatrně. Zlomené sklo může způsobit zranění!
Skleněný kryt položte na měkkou plochu.

6. Kabel zařízení vedte tak, abyste ho nezlomili nebo abyste nedotkli ostrého povrchu. Dejte pozor, aby kabel nepřišel do kontaktu s krytem, protože by se mohl během používání zahřát
7. Dřevěnou dekoraci nebo podle potřeby dodány „krystaly“ vložte do spalovací komory a upravte je podle svého vkusu.
8. Požádejte o pomoc při umístění skleněného krytu. Pomocí jisticích šroubů na každé straně zařízení znovu připevněte přední panel.
9. Zkontrolujte, zda je zařízení vypnuto. Zapojte síťovou zástrčku přístroje do síťové zásuvky. Zařízení pípním oznamuje, že je připraveno k provozu


POUŽÍVÁNÍ ZAŘÍZENÍ

Krb je možné ovládat dvěma způsoby:

1. Pomocí dotykové ovládací plochy na krbu
2. Pomocí dálkového ovladače


Ikony na dotykové ploše krbu a na dálkovém ovládacím slouží stejným funkcím.

Tlačítko pro zapnutí / vypnutí:


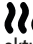
Stiskněte tlačítko  na dotykové panelu nebo na dálkovém ovladači, budete slyšet krátký zvuk-. Elektrický krb se zapnul,

ikona zapnutí bude svítit modře, ostatní tlačítka budou bílé, na displeji se zobrazí teplota v místnosti.



Zastavení zařízení:

Stiskněte tlačítko  POWER na dotykové ploše nebo na dálkovém ovladači, uslyšíte krátký zvuk, světlo zhasne a krb se vypne včetně vytápění. POWER značení bude svítit červeně na ovládacím panelu i na dálkovém ovladači. Ventilátor uvnitř po vypnutí bude fungovat ještě 10 sekund. Krb se dostane do pohotovostního režimu.


Nastavení vysoké a nízké teploty:

Podržte stisknuté tlačítko  „HEATHER“ po dobu 3 sekund na ovládací ploše, přístroj mění mezi °C a °F (tato funkce není dostupná na dálkovém ovladači). Počáteční teplota je 22 °C (72 °F) pokud je teplota v místnosti nižší zařízení se spustí na vysoké úrovni vytápění, pokud chcete změnit úroveň na nízkou, stiskněte tlačítko  „HEATH“ pro změnu (po jednom stisknutí se zobrazí na displeji aktuální úroveň, opětovným stiskem se změní na požadovanou úroveň, pokud tlačítko znovu stisknete vypnete vytápění.. (H / L / O = vysoká / nízká / vypnutí). Po každé změně uslyšíte zvukovou signalizaci, pokud chcete vypnout vytápění lze snížit i teplotu pomocí tlačítka „DOWN“.

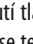
Nastavení časovače:

Časovač můžete nastavit od 0 do 12 hod. Po zapnutí je časovač nastaven na 0 hod. Časovač můžete nastavit na ovládací ploše nebo pomocí dálkového ovladače po stisknutí tlačítka  „TIME“. Po zapnutí přístroje a stisknutí tlačítka TIME bude na displeji blikat „00“ po každém stisknutí tlačítka  TIME se čas bude měnit. (00-30-1H-2H-3H-4H-5H-6H-7H-8H-9H-10H-11H-12H). Pokud jste dosáhli požadovaný čas již vícekrát nemačkejte tlačítko. Když displej bliká 10 sekund a nedojde k žádné změně stavu, na displeji se opět zobrazí teplota v místnosti.

Tlačítko na zvýšení teploty:



Rozsah úrovně teploty od 15 °C (60 °F) do 36 °C (97 °F) (přednastavená teplota 22 °C / 72 °F. Po každém stisknutí tlačítka se teplota zvýší o 1 °C / 1 °F. Po dlouhém stisknutí se teplota bude neustále zvyšovat (Poznámka : tato funkce není dostupná na dálkovém ovladači) V režimu nastavení teploty bude na displeji blikat teplotní část. Pokud po dobu 10 sekund nestisknete žádné tlačítko , displej se vynuluje.

Tlačítko na snížení teploty:


Rozsah úrovně teploty od 15°C (60°F) do 36°C (97°F) (přednastavená teplota 22 °C / 72 °F. Po každém stisknutí tlačítka  se teplota sníží o 1 °C / 1 °F. Po dlouhém stisknutí se teplota bude neustále snižovat (Poznámka : tato funkce není dostupná na dálkovém ovladači) V režimu nastavení teploty bude na displeji blikat

teplotní část. Pokud po dobu 10 sekund nestisknete žádné tlačítko, displej se vynuluje.

DIMMER funkce:


Standardně je jas plamene maximální. Jas plamene má 5 úrovní. Pokud stisknete tlačítko , jas se sníží a po každém stisknutí se jas sníží, pokud je na displeji zobrazena hodnota -1, dosáhli jste nejtmaší režim, opětovným stisknutím tlačítka , DIMMER se vrátíte do výchozí polohy (nejsvětlejší). režim)

Změna barvy plamene:


Standardně má plamen oranžovou barvu, pokud stisknete tlačítko  COLOR MODE na dálkovém ovladači se na displeji změní zobrazení hodnoty na zobrazení barvy: (C1, C2, C3, C4, C5, C6, C7, C8, C9)


(C1) oranžová, (C2) zelená, (C3) modrá, (C4) bílá, (C5) zelená + oranžová, (C6) oranžová + modrá, (C7) oranžová + bílá, (C8) zelená + modrá, (C9) zelená + bílý

Funkce bezpečnostního uzávěru:


Elektrický krb má funkci blokování, kterou lze aktivovat pomocí dálkového ovladače i panelu. Po použití stisknete současně na 3 sekundy tlačítka „nahoru“ a „dolů“ nebo podržte tlačítko  dětského zámku na dálkovém ovladači. Pak uslyšíte zvuk, který naznačuje, že krb je zavřený. Tlačítka nefungují. Chcete-li přístroj znovu ovládat, stisknete a na 3 sekundy podržte tlačítka „nahoru“ a „dolů“ nebo tlačítko dětského zámku na dálkovém ovladači na 1 sekundu, uslyšíte pípnutí a dětská pojistka se uvolní.

Nastavení hodin: Stiskněte tlačítko  jednou pro nastavení jednotky hodin (rozsah nastavení 0-23)

Nastavení minut: Stiskněte tlačítko  jednou a můžete přidat jednu minutu (rozsah nastavení 00-59)

Nastavení dne v týdnu Stiskněte tlačítko , po každém stisknutí se ikona dne přemístí ze leva do prava

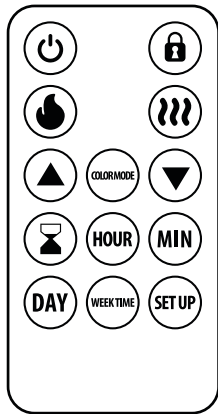
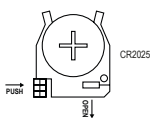
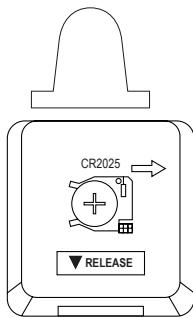
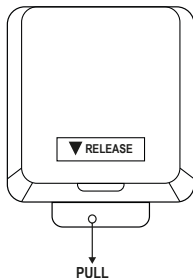
Funkce týdenního časovače: Elektrický krb má týdenní funkci časovače zapínání a vypínání.  tlačítko

Nastavení týdenního časovače ;, zapnutí / vypnutí. tlačítko . (Prosím nenačísujte krb na takový čas, kdy nemůžete sledovat provoz krbu)


OVLÁDÁNÍ POMOCÍ DÁLKOVÉHO OVLADAČE

Odstraňte fólii z příhrádky na baterie v dálkovém ovladači a dálkový ovladač bude připraven k použití. Použijte stejné tlačítka, které jste našli na ovladači na krbu. Dálkový ovladač je ovládán infračervenou technologií, takže nasměrujte dálkový ovladač na

krb, který chcete ovládat. Infračervený signál funguje z maximální vzdálenosti 4 - 5 metrů, zajistěte, aby se během kontroly mezi vás a krb nedostaly žádné předměty nebo osoby.



Korekce teploty:

Pokud zaznamenáte, že měření teploty přístroje není přesné, máte možnost na kalibraci. Stiskněte po dobu 3 sekund tlačítko  TIME. Displej začne blikat. Na displeji se zobrazí 0, toto číslo můžete změnit pomocí tlačítek + a -. Takto můžete naměřenou teplotu zvýšit nebo snížit. Jemné doladění je možné v rozmezí -9 až +9 stupňů.

Čištění:

Před čištěním přístroj vždy vypněte, vytáhněte ho ze zásuvky a nechte vychladnout. K odstranění prachu použijte suchý hadřík nebo vysavač. Kryt otírejte pouze navlhčeným hadříkem, dejte pozor, aby se do zařízení nedostala vlhkost! Během čištění nepoužívejte chemikálie ani alkohol!

Skladování:

Skladujte na chladném a suchém místě. Balení produktu nevyhazujte. Pokud zařízení nepoužíváte, můžete jej použít na jeho uložení. Upozornění, spotřebič vložte zpět do krabice, pouze pokud je zcela vychladlý.

PORUCHY

Problem	Důvod	Řešení
Krb se vypne a nezapne se	Krb je přehřátý a bezpečnostní jednotka je vypnuta nebo je vypnutý jistič. Uvolněné kabely, vodiče, špatné připojení	Vytáhněte síťovou zástrčku a počkejte 5 minut. Zkontrolujte zapojení
Plamen se nepohybuje	Motor plamene je porouchaný	Motor plamene je porouchaný
Plamen nelze vidět	Jednotka plamene není na místě	Plamenová tyč není na svém místě, mohla se během přepravy pohnout. Tento problém lze vyřešit odstraněním skleněného panelu a jeho otočením naopak, abyste odstranili některé šrouby upevňující plamenovou tyč na daném místě, a potom ji posuňte na místo. V případě pochybností vyhledejte radu odborníka
Dřevo nežeravie	Žhavení je vypnuté	Otočte tlačítko plamene do vysoké polohy
Dálkový ovladač nefunguje	Slabá baterie	Vyměňte baterii
	Nedržíte dálkový ovladač směrem k zařízení	Dálkový ovladač namířte na přístroj, přesněji na střed skleněné tabule směrem ke dřevu.
	Řešení dálkového ovladače a / nebo snímače je chybný	Vyměňte dálkový ovladač nebo senzor

v koši, aby se maximalizovala recyklace surovin a snížil se tak jejich vliv na lidské zdraví a životní prostředí. Symbol přeškrtnuté pojízdné popelnice se nachází na všech produktech, které se musí sbírat odděleně. Spotřebitelé by měli získat další informace od místních orgánů



Správná likvidace spotřebiče (elektrický spotřebič)

(Platí v Evropské unii a ve všech ostatních evropských zemích účastnících se odděleném sběru.) Podle směrnice 2012/19 / EU se elektroodpad a zařízení nesmí likvidovat spolu s domovním odpadem. Staré přístroje by měly být shromazďovány

Elektrický nástenný krb - Ohrievač + LED

SK

Legenda



Pozor, nebezpečenstvo!

Je potrebné dodržiavať bezpečnostné predpisy označené týmto symbolom. Ich ignorovanie môže spôsobiť vážne a ďalekosiahle škody na zdraví, ako aj veľké materiálne škody.



Dôležitá informácia!

Tu nájdete informácie a tipy, ktoré Vám pomôžu pri optimálnom používaní zariadenia.



Prečítajte si návod na použitie!



Zariadenie nezakrývajte!



Výrobok nelikvidujte spolu s komunálnym odpadom, ale odovzdajte ho na miestnom zbernom mieste na recykláciu.



Nelikvidujte gombíkové batérie spolu s komunálnym odpadom, ale odovzdajte ich na miestnom zbernom mieste na recykláciu.



Indikácia triedenia odpadu!



Ekologická likvidácia obalov!



Chráňte pred vlhkosťou!



Nastavenie baliacej jednotky hore



Krehký balený tovar

výbornou replikou ozajstného krbu: vytvára realistické plamene a obsahuje tlejúce kúsky dreva, ale je možné ho použiť aj ako kúrenie. Romantická atmosféra je zaručená. Počas chladných zimných dní môžete krb používať podľa potreby na dvoch stupňoch výkonu (950 W, 2000 W), ktorý môže byť vhodný na občasné vykorenie miestnosti s rozlohou 30 m². Takto bude realistický nielen výzor, ale aj pocit tepla. Presnú reguláciu teploty zaisťuje zabudovaný termostat, ktorý je možné nastaviť pomocou diaľkového ovládača, ktorý nájdete v príslušenstve. Efekt plameňa je možné použiť nezávisle od funkcie vykurovania, takže môžete kedykoľvek v roku obdivovať čarovnú atmosféru „horiaceho ohňa“ v krbe. Kamene ktoré nájdete v príslušenstve dodávajú exkluzívny vzhľad.

- Bezpečné prevádzkovanie
- Žiadny oheň, iskry alebo sadze
- Má dve vykurovacie kapacity a vysoký vykurovací výkon
- Týždenné načasovanie
- Ochrana proti prehriatiu
- Masívna konštrukcia
- Môže byť zapustený do steny
- Svetelný efekt je možné prepínať osobitne, nastaviteľný jas
- Romantická atmosféra od prvej minúty po zapnutí
- Výborná replika ozajstného krbu

Pozor! Niektoré body na kryte sa môžu prehriať v dôsledku tepelného žiarenia!

Vyhotovenie:	Zabudovateľné do steny
Zdroj energie:	AC 220 - 240 V, ~ 50/60 Hz
Výkon LED:	1.6 W
Vykurovací výkon:	950 - 2000 W
Odporúčané použitie:	max. 30 m ² miestnosť
Prevádzková teplota:	15 °C - 30 °C
Teplota skladovania:	15 °C - 30 °C
Priamy tepelný výkon:	950 - 2000 W
Energetické hodnotenie (EU2021):	„G“ trieda
Zabudovaný termostat:	Áno, manuálny
Trieda krytia:	IP20

Vážení zákazníci! Ďakujeme, že ste si vybrali náš produkt. Dúfame, že dlhodobo bude uspokojovať vaše potreby.

Nič nie je lepšie ako počas chladného zimného dňa sa túliť s vašou polovičkou pred krbom. Tento viacfunkčný zabudovateľný krb je

Ochrana proti prehriatiu:	Áno
Úroveň hluku:	50 dB
Dĺžka kábla:	140 cm
Materiál:	Kov + sklo
Rozmer:	91 x 15 x 48 cm
Farba:	Čierna
LED:	5 V, min 2 - max 3 lumen/ LED (20 mA), 2700 Kelvin

Tento produkt obsahuje svetelný zdroj triedy energetickej účinnosti „G“!

NÁVOD NA POUŽITIE

Bezpečnostné predpisy , upozornenia

NEBEZPEČENSTVO

Všeobecné rady: Nebezpečenstvo udusenía! Balenie prístroja držte mimo dosahu detí , pretože môže spôsobiť udusenie. Prístroj môžu používať len dospelé osoby, miesto skladovanie zvolte tak aby sa k nemu nemohli deti dostať. Deti sa nesmú hrať s prístrojom.

Nebezpečenstvo úrazu elektrickým prúdom: Nikdy neprevádzkujte prístroj mokkými, vlhkými rukami. Je prísne zakázané dotýkať sa prístroja vrátane sieťovej zástrčky a kábla mokkými rukami. Prístroj musí byť pripojený k zdroju striedavého prúdu iba so správnym napätím. Nemierte prístrojom priamo na elektrické zariadenia, pretože by mohol vniknúť horúci vzduch a poškodiť ho. Nepoužívajte prístroj v blízkosti vane, sprchy, bazéna alebo umývadla s vodou. Vytiahnite zástrčku prístroja zo zásuvky.

Prevádzkovanie: Pred použitím sa uistite o environmentálnych predpisoch. Nepoužívajte prístroj vo výbušnom prostredí! Pri použití na zvláštnych miestach (napr. čerpa cie stanice, kúpele...) musia byť dodržané miestne bezpečnostné predpisy! Umiestnite prístroj vodorovne a stabilne, dbajte na to, aby sa prístroj nesklopil alebo neprevrátil! Nezakrývajte prístroj ničím (plachty, prikrývky...)! Aby ste zabránili požiaru, neumiestňujte prístroj bližšie ako 2 m od nábytku, predmetov alebo stien! Spotrebič sa nesmie prevádzkovať zo zásuvky s časovačom! Spotrebič nie je vhodný ako primárny zdroj vykurovania pre miestnosti. Spotrebič je navrhnutý na prerušované (krátkodobé) vykurovanie.

UPOZORNENIE

Všeobecné rady: Prístroj je možné používať len podľa predpisov. Počas používania dbajte na bezpečie ľudí vo vašom okolí (hlavne detí). Prístroj môžu používať iba osoby , ktoré si prečítali, pochopili tento návod na použitie a sú schopné používať prístroj podľa

predpisov. Osoby so zníženými mentálnymi, fyzickými alebo zmyslovými schopnosťami nesmú prístroj používať. Deti nemôžu používať prístroj. Po použití sa uistite, že horúci spotrebič ochladí na dobre vetranom mieste a nespôsobí zranenie. Informujte svoje okolie o prevádzkovom stave zariadenia.

Nebezpečenstvo úrazu elektrickým prúdom: Prístroj pripájajte iba do sieťovej zásuvky, ktorá je bezpečná pre prevádzku alebo bola nainštalovaná odborníkom v súlade s normou IEC 603364-1. Pred každým použitím sa uistite o tom či sú prístroj, sieťový kábel a konektory neporušené. Ak narazíte na akékoľvek poškodenie, nepoužívajte prístroj , obráťte sa na odborný servis! Počas používania dávajte pozor na celistvosť napájacieho kábla a vyhýbajte sa okrajom alebo predmetom, ktoré by mohli poškodiť povrch kábla. Nepoužívajte predlžovačky alebo rozdeľovače, pretože sú počas prevádzky zdrojom nebezpečenstva. Pokiaľ prístroj nepoužívate, odpojte ho vždy od siete! Údržbárske práce sa smú vykonávať iba s vytiahnutou sieťovou zástrčkou!

Prevádzkovanie: Nebezpečenstvo popálenia. Nikdy sa nedotýkajte časti ohrievača (dolná časť) ani ju nemierte do blízkosti iných ľudí alebo zvierat. Aby ste predišli popáleninám vždy nechajte prístroj vychladnúť pred tým akoby ste sa ho dotkli. Prístroj sa smie prevádzkovať iba vtedy ak je úplne zostavený s výrobným príslušenstvom. Ak je niektorá časť poškodená musí sa pred použitím vymeniť. Pred uskladnením nechajte prístroj úplne vychladnúť na dobre vetranom mieste. Počas používania pravidelne kontrolujte, či sa prístroj neprehrieva a či nie sú zablokované ventilačné otvory.

POZOR

Všeobecné rady: Nepoužívajte prístroj, ak Vám už spadol alebo narazil a je viditeľne poškodený. Je prísne zakázané používať, upravovať alebo deaktivovať bezpečnostné zariadenia podľa určenia.

Prevádzkovanie: Prístroj vždy obsluhujte a skladujte podľa pokynov. Vždy skontrolujte celistvosť zariadenia, kábla, konektora a príslušenstva. V prípade poškodenia prístroj nepoužívajte.

VÝSTRAHA

Prevádzkovanie: Spotrebič používajte iba pri teplotách nad bodom mrazu nad 0 °C aby ste zabránili kondenzácii a úrazu elektrickým prúdom. Nikdy nenechávajte prístroj bez dozoru, keď je pripojený k elektrickej sieti! Chráňte prístroj pred vlhkosťou a vodou! Neuchovávajte prístroj vonku pri vysokých teplotách.

POZOR!

Niektoré časti produktu sa môžu zahrievať a spôsobiť popálenie. Vyžaduje zvýšenú pozornosť v blízkosti detí.

POZOR! Prístroj je možné zabudovať len do steny zo sadrokartónu, do steny vyrobenej špeciálne na tento cieľ z dreva alebo do debny z dreva. Zaisťte, aby bolo zariadenie počas inštalácie správne vetrané. Vnútorne okruhy a komponenty sú chladené ventilačnými otvormi v hornej a spodnej časti krbu. Na ich vetranie musí byť zabezpečený vzduchový priestor primeranej veľkosti, táto časť nesmie byť izolovaná alebo zakrytá

POZOR! Od tohto by ste sa mali odchýliť, iba ak sa rozhodnete umiestniť zariadenie mimo stenu. V takom prípade je tiež možné ho pripevniť na tehlové, betónové, silikátové a iné steny.

POZOR! Inštaláciu prístroja smie vykonávať iba odborník! Na bezpečnú inštaláciu sú potrebné dve osoby!

POZOR!

Ohrievač neobsahuje zariadenie na reguláciu teploty miestnosti. Nepoužívajte ho v dozoru v miestnosti kde sú ľudia, ktorí ju nemôžu opustiť.

POZOR!

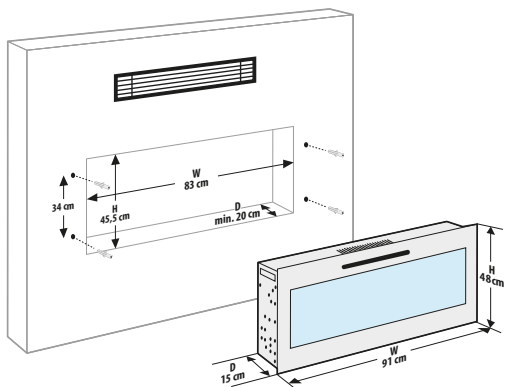
Nad ohrievačom nechajte voľné miesto aspoň 100 cm a pred ohrievačom 200 cm. Nikdy nepoužívajte prístroj v miestnosti, v ktorej sa nachádza horľavý alebo výbušný olej, benzín alebo plyn.

NÁVOD NA INŠTALÁCIU:

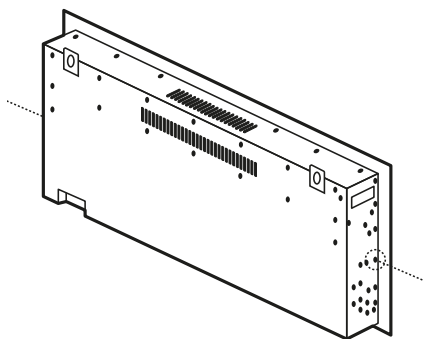
Počas inštalácie musí byť umiestnenie spotrebiča umiestnené tak, aby neprichádzalo do styku s potrubím na odvod vlhkosti alebo tepla, plynovodom alebo elektrickým vedením v jeho bezprostrednej blízkosti. Inštalujte prístroj minimálne do 30 cm výšky tak, aby vzdialenosť medzi stropom a prístrojom bola najmenej 100 cm. Odporúčame umiestniť spodnú časť prístroja do výšky 60 cm od zeme, aby sa zaistil najlepší vizuálny zážitok pri horení ohňa.

ZAPUSTENÁ INŠTALÁCIA:

Montážne príslušenstvo, ktoré je súčasťou balenia, umožňuje zapustenú montáž na sadrokartón a drevené povrchy! Pred inštaláciou sa uistite, či má stenová časť správnu nosnosť a či je v danom mieste schopná napájať zariadenie. Pri upevňovaní na drevený povrch nie je potrebné otvory predvŕtať a použiť hmoždinky ku skrutkám.



1. Vyberte stenu, na ktorú chcete umiestniť spotrebič, a potom vyrežte otvor správnej veľkosti pre spotrebič, ako je to znázornené. Pomocou vodováhy a ceruzky označte otvor. Pílu so správnymi zubami na rezanie, v závislosti od materiálu.



2. V prípade inštalácie do sadrokartónovej steny hmoždinky do dier.
3. Odstráňte sklenenú časť zo zariadenia. Odskrutkujte skrutky na oboch stranách zariadenia. Tieto skrutky nájdete v strede krytu, od hornej časti zariadenia 4. skrutky ratakúj smerom nadol.

Pozor! Predný kryt zariadenia je vyrobený zo skla! Narábajte s ním opatrne. Zlomené sklo môže spôsobiť zranenia! Sklenený kryt položte na mäkkú plochu.

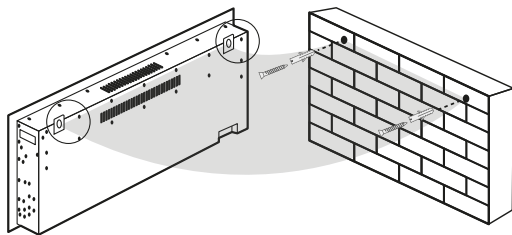
4. Vložte krb do pripraveného otvoru a zaisťte ho 4 skrutkami. Dajte pozor, aby ste nepretrhli kábel stroja, alebo nedotkli sa ostrého povrchu. Dajte pozor, aby kábel neprišiel do kontaktu s krytom, pretože by sa mohol počas používania zahriať.

5. Vložte drevenú dekoráciu alebo podľa potreby dodané „kryštály“ do spalovacej komory a usporiadajte ich podľa svojho vkusu.

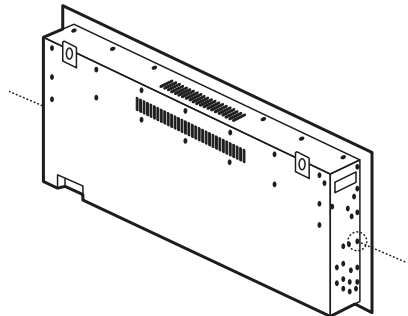
6. Požiadajte o pomoc pri umiestnení skleneného krytu. Pomocou upevňovacích skrutiek na oboch stranách prístroja pripevnite predný panel späť ku krytu krbu (v rovine steny, môžete to urobiť z boku).

7. Skontrolujte, či je zariadenie vypnuté. Zapojte sieťovú zástrčku prístroja do sieťovej zásuvky. Zariadenie pípaním oznamuje, že je pripravené na prevádzku.

INŠTALÁCIA MIMO STENY (NIE ZAPUSTENÉ):



1. Pomocou vrtačky vyvrtajte otvory pre montáž držiaka. Na vrtanie použite 8 mm vrták. Hĺbka otvorov musí byť najmenej 26 mm hlboká. Nepoužívajte menšiu montážnu veľkosť!
2. Vložte dodané hmoždinky do otvorov, kým nebudú zarovnané s rovinou steny
3. Pomocou skrutkovača zaskrutkujte skrutky tak, aby ich hlavy boli 3-4 mm od roviny steny.
4. Zaveste krb na skrutky a uistite sa o stabilnom a presnom držaní. Ak je to potrebné, upravte polohu skrutiek, ktoré pripevňujú krb k stene.
5. Odstráňte sklenenú prednú časť zariadenia. Odskrutkujte skrutky na oboch stranách zariadenia. Tieto skrutky nájdete v strede krytu, priskrutkujte 4 z hornej časti krytu.



Pozor! Predný kryt zariadenia je vyrobený zo skla! Narábajte s ním opatrne. Zlomené sklo môže spôsobiť zranenia! Sklenený kryt položte na mäkkú plochu.

6. Kábel zariadenia vedte tak, aby ste ho nezlomili alebo aby ste sa nedotkli ostrého povrchu. Dajte pozor, aby kábel neprišiel do kontaktu s krytom, pretože by sa mohol počas používania zahriať
7. Drevenú dekoráciu alebo podla potreby dodané „kryštály“ vložte do spalovacej komory a upravte ich podľa svojho vkusu.
8. Požiadajte o pomoc pri umiestnení skleneného krytu. Pomocou skrutiek so zapustenou hlavou na každej strane zariadenia znova pripevnite predný panel.
- 9 Skontrolujte, či je zariadenie vypnuté. Zapojte sieťovú zástrčku prístroja do sieťovej zásuvky. Zariadenie pípaním oznamuje, že je pripravené na prevádzku.


POUŽÍVANIE ZARIADENIA:


Krb je možné ovládať dvomi spôsobmi:

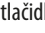

1. Pomocou dotykového ovládacej plochy na krbe
2. Pomocou diaľkového ovládača


Ikony na dotykového ploche krbu a na diaľkovom ovládaní slúžia rovnakým funkciám.

Pri ovládaní krbu nezabúdajte, že trvá niekoľko sekúnd, kým riadiaca jednotka prijme danú inštrukciu a spracuje ju.


Tlačidlo na zapnutie / vypnutie: Stlačte tlačidlo  na dotykovom paneli alebo na diaľkovom ovládači, budete počuť krátky zvuk. Elektrický krb sa zapojí, ikona zapnutia bude svietiť na modro, ostatné tlačidlá budú biele, na displeji sa zobrazí teplota v miestnosti.

Zastavenie zariadenia: Stlačte tlačidlo  POWER na dotykového ploche alebo na diaľkovom ovládači, budete počuť krátky zvuk, svetlo zhasne a krb sa vypne vrátane vykurovania. POWER značenie bude svietiť červenou farbou na ovládacom paneli aj na diaľkovom ovládači. Ventilátor vo vnútri po vypnutí bude fungovať ešte 10 sekúnd. Krb sa dostane do pohotovostného režimu.

Nastavenie vysokej a nízkej teploty: Podržte stlačené tlačidlo  „HEATHER“ po dobu 3 sekúnd na ovládacej ploche, prístroj mení medzi °C a °F (táto funkcia nie je dostupná na diaľkovom ovládači). Začiatková teplota je 22 °C (72 °F) ak je teplota v miestnosti nižšia zariadenie sa spustí na vysokej úrovni vykurovania, ak chcete zmeniť úroveň na nízku , stlačte tlačidlo  „HEATH pre zmenu (po jednom stlačení sa zobrazí na displeji aktuálna úroveň , opätovným stlačením sa zmení na požadovanú úroveň, ak tlačidlo opäť stlačíte vypnete vykurovanie. . (H / L / O = vysoká/nízka/vypnutie). Po každej zmene budete počuť zvukovú signalizáciu, ak chcete vypnúť vykurovanie môžete znížiť aj teplotu pomocou tlačidla „DOWN“.

Nastavenie časovača: Časovač môžete nastaviť od 0 do 12 hod. Po zapnutí je časovač nastavený na 0 hod. Časovač môžete nastaviť na ovládacej ploche alebo pomocou diaľkového ovládača po stlačení tlačidla  „TIME“. Po zapnutí prístroja a stlačení tlačidla TIME bude na displeji blikať „00“ po každom stlačení tlačidla TIME sa čas bude meniť. (00-30-1H-2H-3H-4H-5H-6H-7H-8H-9H-10H-11H-12H).

Ak ste dosiahli požadovaný čas už viackrát nestláčajte tlačidlo. Keď displej bliká 10 sekúnd a nedôjde k nijakej zmene stavu, na displeji sa opäť zobrazí teplota v miestnosti.

Tlačidlo na zvýšenie teploty: Rozsah úrovne teploty od 15 °C (60 °F) do 36 °C (97 °F) (prednastavená teplota 22 °C / 72 °F.Po každom stlačení tlačidla  sa teplota zvýši o 1 °C / 1 °F. Po

dlhom stlačení sa teplota bude neustále zvyšovať (Poznámka: táto funkcia nie je dostupná na diaľkovom ovládači) V režime nastavenia teploty bude na displeji blikať teplotná časť. Ak po dobu 10 sekúnd nestlačíte žiadne tlačidlo, displej sa vynuluje.

Tlačidlo na zníženie teploty: Rozsah úrovne teploty od 15 °C (60 °F) do 36 °C (97 °F) (prednastavená teplota 22 °C / 72°F .Po každom stlačení tlačidla ▼ sa teplota zníži o 1 °C / 1 °F. Po dlhom stlačení sa teplota bude neustále znižovať (Poznámka: táto funkcia nie je dostupná na diaľkovom ovládači) V režime nastavenia teploty bude na displeji blikať teplotná časť. Ak po dobu 10 sekúnd nestlačíte žiadne tlačidlo, displej sa vynuluje.

DIMMER funkcia: Štandardne je jas plameňa maximálny. Jas plameňa má 5 úrovní. Ak stlačíte tlačidlo DIMMER, jas sa zníži a po každom stlačení sa jas zníži, ak je na displeji zobrazená hodnota -1, dosiahli ste najtmavší režim, opätovným stlačením tlačidla DIMMER sa vrátite do predvolenej polohy (najsvetlejší) režim)

Zmena farby plameňa: Štandardne má plameň oranžovú farbu, ak stlačíte tlačidlo COLOR MODE na diaľkovom ovládači sa

na displeji zmení zobrazenie hodnoty na zobrazenie farby: (C1, C2, C3, C4, C5, C6, C7, C8, C9) (C1) oranžová, (C2) zelená, (C3) modrá, (C4) biela, (C5) zelená + oranžová, (C6) oranžová + modrá, (C7) oranžová + biela, (C8) zelená + modrá, (C9) zelená + biely

Funkcia bezpečnostného uzáveru: Elektrický krb má funkciu blokovania, ktorú je možné aktivovať pomocou diaľkového ovládača aj panelu. Po použití stlačte súčasne na 3 sekundy tlačidlá „hore“ a „dole“ alebo podržte stlačené tlačidlo detskej zámky na diaľkovom ovládači. Potom budete počuť zvuk, ktorý naznačuje, že krb je zatvorený. Tlačidlá nefungujú. Ak chcete prístroj znovu ovládať, stlačte a na 3 sekundy podržte tlačidlá „hore“ a „dole“ alebo tlačidlo detskej zámky na diaľkovom ovládači na 1 sekundu, budete počuť pípnutie a detská poistka sa uvoľní.

Nastavenie hodín: Stlačte tlačidlo HOUR raz pre nastavenie jednotky hodín (rozsah nastavenia 0 - 23)

Nastavenie minút: Stlačte tlačidlo MIN raz a môžete pridať jednu minútu (rozsah nastavenie 00 - 59)

Nastavenie dňa v týždni: Stlačte tlačidlo DAY, po každom stlačení sa ikona dňa premiestni zo ľava do prava.

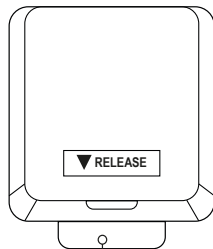
Funkcia týždenného časovača: Elektrický krb má týždennú funkciu časovača zapínania a vypínania. WEEKTIME tlačidlo.

Nastavenie týždenného časovača: zapnutie/vypnutie. SETUP tlačidlo (Prosím nenačusajte krb na taký čas , kedy nemôžete

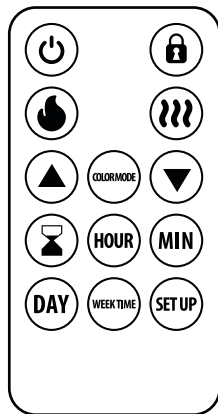
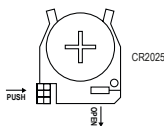
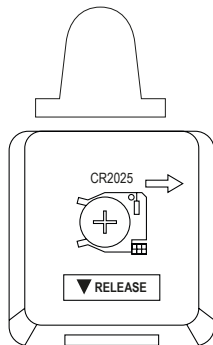
sledovať prevádzku krbu)

OVLÁDANIE POMOCOU DIAĽKOVÉHO OVLÁDAČA

Odstráňte fóliu z priehradky na batérie v diaľkovom ovládači a diaľkový ovládač bude pripravený na použitie. Použijete rovnaké tlačidlá, ktoré ste našli na ovládači na krbe. Diaľkový ovládač je ovládaný infračervenou technológiou, takže nasmerujte diaľkový ovládač na krb, ktorý chcete ovládať. Infračervený signál funguje z maximálnej vzdialenosti 4 - 5 metrov, zabezpečte, aby sa počas kontroly medzi vás a krb nedostali žiadne predmety alebo osoby.



PULL



Korekcia teploty: Ak spozorujete , že meranie teploty prístroja nie je presné, máte možnosť na kalibráciu. Stlačte po dobu 3 sekúnd tlačidlo TIME . Displej začne blikať. Na displeji za zobrazí 0, toto číslo môžete zmeniť pomocou tlačidiel + a - . Takto môžete nameranú teplotu zvýšiť alebo znížiť. Jemné doladenie je možné v rozmedzí -9 až +9 stupňov.

Ochrana proti prehriatiu: Ak sa zariadenie z nejakého dôvodu prehreje, automaticky sa vypne. Odstráňte všetky predmety, ktoré spôsobili prehriatie. Ak chcete krb bezpečne reštartovať, vypnite ho na 15 minút. Po vychladnutí sa prístroj znovu zapne.

Čistenie: Pred čistením prístroj vždy vypnite, vytiahnite ho zo zásuvky a nechajte vychladnúť. Na odstránenie prachu použite suchú handričku alebo vysávač. Kryt utierajte iba mierne navlhčenou handričkou, dajte pozor, aby sa do zariadenia nedostala vlhkosť! Počas čistenia nepoužívajte chemikálie ani alkohol!

Skladovanie: Skladujte na chladnom a suchom mieste. Balenie produktu nevyhadzujte. Ak zariadenie nepoužívate, môžete ho použiť na jeho uloženie. Upozornenie Spotrebič vložte späť do krabice, iba ak je správne vychladnutý.

PORUCHY

Problém	Dôvod	Riešenie
Krb sa vypne a nezapne sa	Krb je prehriaty a bezpečnostná jednotka je vypnutá alebo je vypnutý istič. Uvoľnené káble, vodiče, zlé pripojenie	Vytiahnite sieťovú zástrčku a počkajte 5 minút. Skontrolujte zapojenie
Plameň sa nepohybuje	Motor plameňa je pokazený	Kontaktujte odborníka, ktorý môže vymeniť motor krbu
Plameň nie je možné vidieť	Jednotka plameňa nie je na mieste	Plameňová tyč nie je na svojom mieste, mohla sa počas prepravy pohnúť. Tento problém je možné vyriešiť odstránením skleneného panelu a jeho otočením naopak, aby ste odstránili niektoré skrutky, ktoré držia plameňovú tyč na danom mieste, a potom ju posuňte na miesto. V prípade pochybností vyhľadajte radu odborníka.
Drevo nežeravie	Žeravenie je vypnuté	Otočte tlačidlo plameňa do vysokej polohy
Diaľkový ovládač nefunguje	Slabá batéria	Vymeňte batériu
	Nedržíte diaľkový ovládač smerom k zariadeniu	Diaľkový ovládač namierte na prístroj, presnejšie na stred sklenenej tabule smerom k drevu.

	Riešenie diaľkového ovládača a / alebo snímača je chybný	Vymeňte diaľkový ovládač alebo senzor
--	--	---------------------------------------



Správna likvidácia spotrebiča (elektrický spotrebič)

(Platí v Európskej únii a vo všetkých ostatných európskych krajinách zúčastňujúcich sa na separovanom zbere.) Podľa smernice 2012/19 / EÚ sa elektroodpad a zariadenia nesmú likvidovať spolu s domovým odpadom. Staré prístroje by sa mali zhromažďovať v koši, aby sa maximalizovala recyklácia surovín a znížil sa tak ich vplyv na ľudské zdravie a životné prostredie. Symbol preškrtnutej smetnej nádoby na kolieskach sa nachádza na všetkých produktoch, ktoré sa musia zbierať osobitne. Spotrebitelia by mali získať ďalšie informácie od miestnych orgánov.

Legendă



Atentie, pericol!

Regulile de siguranță marcate cu acest simbol trebuie neapărat respectate. Ignorarea acestora poate provoca daune grave sănătății, precum și pagube materiale incomensurabile.



Informații importante!

Aici veți găsi informații explicative și sfaturi pentru a vă ajuta să utilizați acest dispozitiv în mod optim.



Citiți instrucțiunile de utilizare!



Nu acoperiți dispozitivul!



Nu aruncați produsul împreună cu deșeurile menajere, ci predați-l la punctul local de colectare pentru reciclare.



Nu aruncați bateriile împreună cu deșeurile menajere, ci predați-le la punctul local de colectare pentru reciclare.



Simbol sortare deșeurii!



Eliminarea ecologică a ambalajului!



Protejați de umiditate!



Puneți unitatea de ambalare sus



Bunuri fragile ambalate

Stimate Cumpărător! Vă mulțumim că ați ales produsul nostru, în speranța că vă va oferi satisfacție deplină.

Nu este nimic mai plăcut, de cât să stai în fața șemineului într-o zi de iarnă friguroasă. Acest șemineu multifuncțional incastabil este o replică perfectă a șemineului original, oferind efect

realist, cu imitație de flacără și bucăți de lemn incandescente - dar care este și un radiator excelent de căldură. Garantează o atmosferă romantică fără egal. În nopțile reci de iarnă, puteți regla intensitatea radiatorului (950 W, 2000 W) la două niveluri de putere la cerere, care este potrivită pentru încălzirea ocazională și intermitentă a unei camere de până la 30 m². În acest fel, nu numai aspectul, dar și senzația de căldură vor fi realiste. Controlul precis al temperaturii este asigurat de un termostat încorporat, care poate fi setat cu ajutorul unui comutator rotativ, sau al telecomenzii accesoriu. Efectul de flacără poate fi utilizat independent de funcția de încălzire, astfel încât să puteți admira atmosfera magică a unui „foc aprins” în șemineu în orice moment al anului. Cristalele decorative accesoriu conferă aspect și mai exclusiv „focarului” șemineului.

- Utilizare sigură
- Fără foc, scânteii, sau funingine
- Două trepte de putere pentru încălzire
- Temporizare săptămânală
- Protecție la supraîncălzire
- Carcasă solidă
- Incastabil în perete
- Efectul de iluminare poate fi oprit, Intensitatea luminoasă este reglabilă
- Efect romantic instantaneu din momentul pornirii
- Imită perfect un șemineu real

Atenție! Unele zone ale carcasei se pot supraîncălzi din cauza radiației de căldură!

Execuție:	Incastabil în perete
Sursa de energie:	AC 220 - 240 V, ~ 50/60 Hz
Putere LED:	1.6 W
Putere de încălzire:	950 - 2000 W
Utilizare recomandată:	Pentru încăperi de max. 30 m ²
Temperatura de lucru:	15 °C - 30 °C
Temperatura de depozitare:	15 °C - 30 °C
Putere de încălzire directă:	950 - 2000 W
Clasificarea energetică (UE 2021)	Clasa „G”

Termostat încorporat:	Da, tip manual
Protecție:	IP20
Protecție la supraîncălzire:	Da
Nivel de zgomot:	50 dB
Lungime cablu de alimentare:	140 cm
Material:	Metal + sticlă
Dimensiuni:	91 x 15 x 48 cm
Culoare:	Negru
LED:	5 V, min 2 - max 3 lumen/ LED (20 mA), 2700 Kelvin

Acest produs conține o sursă de lumină din clasa „G” de eficiență energetică !

INSTRUCȚIUNI DE UTILIZARE

Instrucțiuni de siguranță, Atenționări



PERICOL!

Sfaturi generale: Pericol de sufocare! Vă rugăm să feriți ambalajul aparatului de accesul copiilor, deoarece poate duce la sufocarea acestora. Aparatul poate fi utilizat numai de adulți, locul de depozitare trebuie ales astfel încât copiii să nu-l poată accesa accidental. Aparatul nu poate fi utilizat de către copii.

Pericol de electrocutare: Nu manevrați aparatul cu mâinile umede! Este strict interzis să atingeți aparatul, inclusiv fișa și cablul de alimentare, cu mâinile ude! Aparatul se va conecta numai la o sursă de alimentare cu tensiunea corespunzătoare. Nu dirijați aparatul direct spre dispozitive electrice, deoarece căldura excesivă poate provoca deteriorări grave în acestea. Nu utilizați aparatul în apropierea recipientelor de apă, cum ar fi vana de baie, dușul, piscina, lavaboul, etc. Aparatul se va deconecta de la priză de rețea numai ținut de fișa cablului și nu tras de la cablu. Nu conduceți traseul cablului de alimentare în partea din față a aparatului!

Utilizarea aparatului: Înainte de utilizare asigurați-vă despre prescripțiile legate de mediul de utilizare! Este interzisă utilizarea aparatului în medii explozive! Atunci când este utilizat în locuri speciale (de exemplu stații de alimentare, băi ...) trebuie respectate reglementările locale de siguranță! Decideți locația de montaj al șemineului. Pentru măsurători, utilizați o ruletă de măsurare în cursul instalării! Este interzisă acoperirea aparatului cu orice material (cearșaf, pătură, etc.)! Pentru a evita incendiile, nu așezați în fața aparatului nici un mobilier sau alte obiecte la distanță mai mică de 2 metri! Aparatul nu se va utiliza de la priză cu temporizator! Aparatul nu este destinat pentru a fi sursă primară de încălzire pentru locuințe. Aparatul este proiectat pentru încălzire de scurtă durată și intermitentă.



ATENȚIE!

Sfaturi generale: Utilizați aparatul numai în scopul pentru care a fost proiectat! În timpul utilizării, acordați atenție siguranței fizice a celor din jur (în special a copiilor). Aparatul poate fi utilizat numai de persoanele care au citit și au înțeles conținutul manualului de utilizare și sunt capabile să opereze conform celor prescrise în manual! Persoanele cu capacități mentale, fizice sau senzoriale reduse nu vor utiliza aparatul! Aparatul nu poate fi utilizat de către copii! Asigurați-vă ca după utilizare aparatul fierbinte să se răcească într-un loc bine ventilat și nu provoacă vătămări corporale celor din jur! Informați pe cei din jur despre starea de funcționare caldă a aparatului.

Pericol de electrocutare: Conectați aparatul doar la o priză de alimentare sigură, care a fost instalată în conformitate cu standardul IEC 60364-1. Înainte de fiecare utilizare, asigurați-vă ca aparatul și cablul de rețea să nu fie deteriorate! Utilizați aparatul numai în starea perfectă al acestuia! Dacă se constată vreo deteriorare, nu utilizați aparatul, contactați un service specializat! În timpul utilizării, acordați atenție integrității cablului de alimentare și evitați muhiile ascuțite sau alte obiecte care ar putea deteriora cablul. Evitați utilizarea prelungitoarelor și a distribuitorilor, deoarece acestea pot constitui surse de pericol în timpul utilizării. Deconectați întotdeauna aparatul de la rețea atunci când nu este folosit! Lucrările de întreținere trebuie efectuate numai cu aparatul deconectat de la rețea!

Utilizarea aparatului: Pericol de arsuri! Nu atingeți niciodată radiatorul șemineului (aflat în partea inferioară)! Pentru a evita arsurile, lăsați întotdeauna aparatul să se răcească înainte de a atinge carcasa acestuia! Aparatul poate fi utilizat numai complet asamblat cu accesoriile din fabrică! Dacă orice piesă este deteriorată, aceasta trebuie înlocuită înainte de o nouă utilizare. Înainte de depozitare, lăsați aparatul să se răcească complet într-un loc bine ventilat. În timpul utilizării, verificați periodic dacă aparatul nu este supraîncălzit și dacă orificiile de ventilație nu sunt blocate.



ATENȚIE!

Sfaturi generale: Nu utilizați aparatul dacă l-ați scăpat sau l-ați lovit anterior și este vizibil deteriorat! Dispozitivele de siguranță se vor folosi întocmai destinației acestora. Este strict interzisă modificarea sau dezactivarea dispozitivelor de siguranță!

Utilizarea aparatului: Utilizați și depozitați aparatul așa cum este descris în manual! Verificați întotdeauna integritatea aparatului, al cablului, al conectorului și al accesoriilor! Nu folosiți aparatul în stare deteriorată!

ATENȚIE!

Utilizarea aparatului: Utilizați aparatul numai la temperaturi de peste 0 °C pentru a evita condensul și electrocutarea. Nu lăsați niciodată aparatul nesupravegheat atunci, când acesta este conectat la rețea! Feriți aparatul de apă și umezeală! Nu depozitați aparatul în aer liber, expus la variații mari de temperatură.

ATENȚIE!

Anumite părți ale aparatului se pot înfierbânta și pot provoca arsuri. Necesită atenție deosebită în apropierea copiilor.

ATENȚIE! Șemineul poate fi încastrat numai într-un perete de ghips-carton sau într-un perete sau cutie de lemn special concepută în acest scop. La instalare asigurați-vă că dispozitivul este ventilat corespunzător. Circuitele și componentele interne sunt răcite prin orificiile de ventilație din partea superioară și inferioară a șemineului. Pentru o ventilație corectă, trebuie prevăzut un traseu de aer de dimensiuni adecvate, care nu va fi izolat sau acoperit.

ATENȚIE! Vă abateți de la această regulă numai dacă șemineul se instalează în afara peretelui. În acest caz, este posibilă și instalarea șemineului pe pereți de cărămidă, beton, azbociment, sau alte tipuri de pereți.

ATENȚIE! Instalarea se va executa numai de un specialist autorizat! Instalarea sigură necesită participarea a cel puțin două persoane!

ATENȚIE!

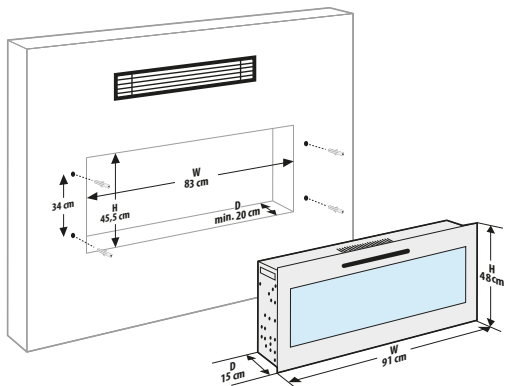
Aparatul nu deține dispozitive de reglare a temperaturii încăperii. Nu utilizați aparatul nesupravegheat în încăperi în care se află persoane incapabile de a părăsi singuri încăperea.

INSTRUCȚIUNI DE INSTALARE:

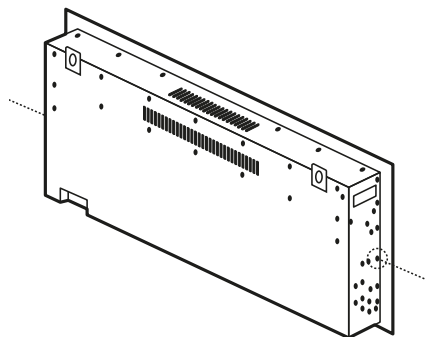
Cu ocazia instalării, locația aparatului trebuie aleasă astfel, încât să nu intre în contact direct cu umiditate, sau cu conductele de apă sau încălzire, cu conductele de gaz sau cablurile electrice din vecinătate. Instalați aparatul la o înălțime de cel puțin 30 cm de la pardoseală și cel puțin 1 m de la tavan. Pentru a obține cea mai bună experiență vizuală al focului aprins al șemineului, vă recomandăm să amplasați aparatul astfel, încât partea inferioară să fie la o înălțime de 60 cm de la sol.

INSTALAREA INCASTRATĂ ÎN PERETE:

Accesorii de montare incluse permit montarea incastată în pereți de ghips-carton, sau suprafețe din lemn! Înainte de instalare, asigurați-vă că peretele are o capacitate portantă suficientă și există sursă de alimentare electrică în locația dată. În cazul montării pe suprafață de lemn, nu este necesară găurirea prealabilă și se nu folosesc dibluri pentru șuruburi!



1. Alegeți perețele unde doriți să amplasați șemineul, apoi practicați o deschidere de dimensiunea potrivită pentru aparat așa cum indică. Pentru trasarea deschiderii folosiți creionul și nivela. Folosiți un ferăstrău cu dantura potrivită materialului peretelui.

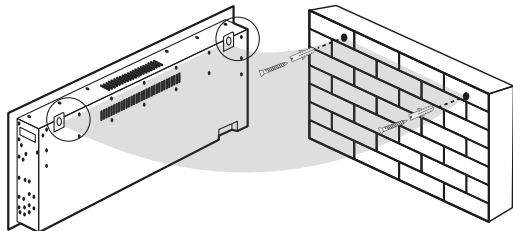


2. În cazul instalării în perete din ghips-carton, introduceți diblurile speciale în orificii.
 3. Îndepărtați fereastra din sticlă al șemineului. Îndepărtați șuruburile laterale de pe ambele laturi. Aceste șuruburi se găsesc în mijlocul părților laterale, fiind al patrulea șurub numărât dinspre partea de sus al șemineului.
- Atenție! Fereastra este executată din sticlă! Mânuiți-o cu atenție! Sticla spartă poate provoca răni prin tăiere! Așezați fereastra pe o suprafață curată și moale!**
4. Introduceți șemineul în deschiderea practică anterior și fixați-l cu cele patru șuruburi. La pozarea cablului de alimentare, evitați contactul cu colțurile ascuțite precum și frângerea cablului pe traseu. Cablul nu va atinge carcasa aparatului, aceasta fiind caldă în timpul funcționării.
 5. Așezați în camera de ardere decorul de lemn de foc sau, dacă este necesar, „cristalele” furnizate ca accesoriu și aranjați-le după gustul dumneavoastră.
 6. Apelați la ajutor pentru reșezarea ferestrei șemineului. Folosiți șuruburile de fixare de pe ambele părți laterale ale aparatului

pentru a fixa panoul frontal la carcasa șemineului (în planul peretelui, se va face cu accesând din partea laterală).

7. Verificați ca șemineul să fie în stare decuplată. Conectați fișa aparatului la priza de rețea. Aparatul va emite un semnal sonor, semnalizând că este gata de funcționare.

INSTALAREA APARENTĂ PE PERETE (NEINCASTRAT):



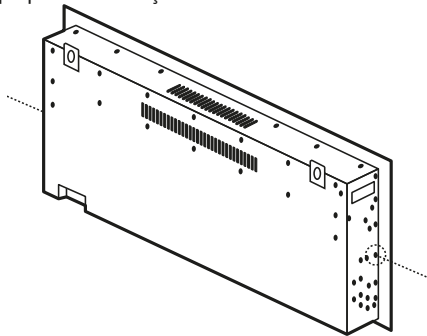
1. Practicați găurile în locațiile marcate folosind mașina de găurit cu un burghiu adecvat. Folosiți un burghiu cu diametrul de 8 mm. Adâncimea găurilor trebuie să fie minim 26 mm. Nu folosiți elemente de fixare sub aceste dimensiuni!

2. Introduceți diblurile furnizate în găuri până când capetele acestora se aliniază cu planul peretelui.

3. Folosind o șurubelniță, înșurubați șuruburile astfel încât capetele să fie la 3-4 mm distanță de planul peretelui!

4. Așezați șemineul pe șuruburi și asigurați-vă despre îmbinarea perfectă și stabilă. Dacă este necesar, modificați poziția șuruburilor pentru a obține o fixare stabilă a șemineului pe perete.

5. Îndepărtați fereastra din sticlă al șemineului. Îndepărtați șuruburile laterale de pe ambele laturi. Aceste șuruburi se găsesc în mijlocul părților laterale, fiind al patrulea șurub numărat dinspre partea de sus al șemineului.



Atenție! Fereastra este executată din sticlă! Mânuiți-o cu atenție! Sticla spartă poate provoca răni prin tăiere! Așezați fereastra pe o suprafață curată și moale!

6. La pozarea cablului de alimentare, evitați contactul cu colțurile

ascuțite precum și frângerea cablului pe traseu. Cablul nu va atinge carcasa aparat, aceasta fiind caldă în timpul funcționării.

7. Așezați în camera de ardere decorul de lemn de foc sau, dacă este necesar, „cristalele” furnizate ca accesoriu și aranjați-le după gustul dumneavoastră.

8. Apelați la ajutor pentru reazerea ferestrei șemineului. Fixați panoul frontal cu ajutorul șuruburilor de pe părțile laterale.

9. Verificați ca șemineul să fie în stare decuplată. Conectați fișa aparatului la priza de rețea. Aparatul va emite un semnal sonor, semnalizând că este gata de funcționare.

UTILIZAREA APARATULUI


Șemineul poate fi comandat în două moduri:


1. Cu ajutorul comenzilor de pe aparat
2. Cu telecomanda din dotare

Simbolurile de pe panoul de comandă și cele de pe telecomandă au semnificații și funcții identice.

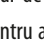
Când comandați de la șemineu, vă rugăm să rețineți că durează câteva secunde până când unitatea de control primește și prelucrează comenzile primite.

Buton ON/OFF: Apăsăți butonul  de pe panoul tactil sau de pe telecomandă și veți auzi un scurt bip. Șemineul va porni, pictograma care semnalizează alimentarea va deveni albastră și celelalte butoane vor lumina în alb, afișajul indicând temperatura camerei.


Oprirea șemineului: Apăsăți butonul  POWER de pe panoul tactil sau de pe telecomandă și veți auzi un scurt bip. Lumina șemineului se va stinge, aparatul se va opri, inclusiv și partea de încălzire. Indicatorul POWER va lumina în roșu atât pe aparat cât și pe telecomandă. Ventilatorul din interiorul aparatului va funcționa încă 10 secunde, după care șemineul va intra în modul de așteptare.

Ajustarea limitelor de temperatură înaltă/joasă: Țineți apăsat timp de trei secunde butonul 

„HEATER” pe panoul de comandă pentru a schimba între unitățile °C și °F. (Notă: Această funcție nu este accesibilă de pe telecomandă.) Temperatura de pornire 22 °C (72 °F), dacă temperatura camerei este sub această valoare aparatul pornește în modul de încălzire cu putere ridicată.

Dacă doriți să treceți la modul de încălzire cu putere scăzută, apăsați butonul  HEAT pentru a comuta modul (după prima apăsare, afișajul arată modul curent, după apăsare repetată va trece la modul dorit. La o nouă apăsare încălzirea se va opri. (H / L / O = P max. / P min. / încălzire OFF). După fiecare schimbare de mod veți auzi un bip sonor. Dacă doriți să opriți funcția de încălzire, acesta se poate face și prin scăderea temperaturii cu butonul „DOWN”.


Reglarea temporizării: Puteți seta temporizatorul de la 0 la


12 ore. După pornire, temporizatorul este setat la 0. Puteți seta temporizatorul cu panoul tactil al aparatului sau al telecomenzii apăsând butonul  TIME, după care la fiecare apăsare al butonului, temporizarea se va schimba.

(00-30-1H-2H-3H-4H-5H-6H-7H-8H-9H-10H-11H-12H).


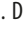
Dacă ați ajuns la temporizarea dorită, nu mai apăsați pe buton.


După o iluminare intermitent de 10 secunde (fără nici o comandă următoare), afișajul va reveni automat la indicarea temperaturii camerei.

Butonul pentru creșterea temperaturii: Domeniul de temperatură 15 - 36 °C (temperatura implicită 22 °C). Apăsați scurt butonul  în direcția sus, după fiecare apăsare temperatura va crește cu 1°C. La apăsare continuă, temperatura va crește continuu. (Notă: această funcție nu este accesibilă de la telecomandă.) În modul de setare a temperaturii, pe afișaj partea de indicare a temperaturii va lumina intermitent. Dacă timp de 10 secunde nu se apasă nici un buton, afișajul va reveni automat în starea inițială.


Butonul pentru scăderea temperaturii: Domeniul de temperatură 15 - 36 °C (temperatura implicită 22 °C). Apăsați scurt butonul  în direcția jos, după fiecare apăsare temperatura va scădea cu 1 °C. La apăsare continuă, temperatura va crește continuu.

(Notă: această funcție nu este accesibilă de la telecomandă.) În modul de setare a temperaturii, pe afișaj, partea de indicare a temperaturii va lumina intermitent. Dacă timp de 10 secunde nu se apasă nici un buton, afișajul va reveni automat în starea inițială.

Funcția DIMMER: În starea implicită, intensitatea luminoasă a flăcării se află la valoarea maximă. Intensitatea iluminării dispune de 5 trepte de intensitate. Dacă apăsați butonul  DIMMER, luminozitatea va scădea. După fiecare apăsare succesivă, luminozitatea va scădea progresiv, valoarea -1 fiind cea mai întunecată treaptă. Dacă apăsați din nou butonul  DIMMER, luminozitatea va reveni la intensitatea maximă.

Modificarea culorii flăcării: În mod implicit, flacăra este portocalie. Dacă apăsați butonul  COLOR MODE de pe telecomandă, afișajului temperaturii se transformă în afișarea culorii: (C1, C2, C3, C4, C5, C6, C7, C8, C9)


La fiecare apăsare al butonului, culorile se vor schimba succesiv: (C1) portocaliu, (C2) verde, (C3) albastru, (C4) alb, (C5) verde + portocaliu, (C6) portocaliu + albastru, (C7) portocaliu + alb, (C8) verde + albastru, (C9) verde + albastru


Funcția de siguranță copii: Șemineul electric are o funcție de blocare care poate fi activată folosind atât telecomanda, cât și panoul de comandă. După utilizare, apăsați simultan butoanele  „sus” și „jos” timp de 3 secunde sau țineți apăsat butonul de blocare pentru copii de pe telecomandă. Veți auzi un semnal sonor care denotă că șemineul a fost blocat, butoanele nu pot


fi acționate. Dacă doriți să controlați din nou aparatul, apăsați și țineți apăsat butoanele „sus” și „jos” timp de 3 secunde sau butonul de blocare pentru copii de pe telecomandă timp de 1 secundă. Veți auzi un semnal sonor care denotă că șemineul a fost deblocat, butoanele pot fi acționate.

Setarea orelor: Apăsați butonul  o dată pentru a seta unitatea de ore (interval de setare 00-23)

Setarea minutelor: Apăsați butonul  o dată pentru a seta minutele (interval de setare 00-59)

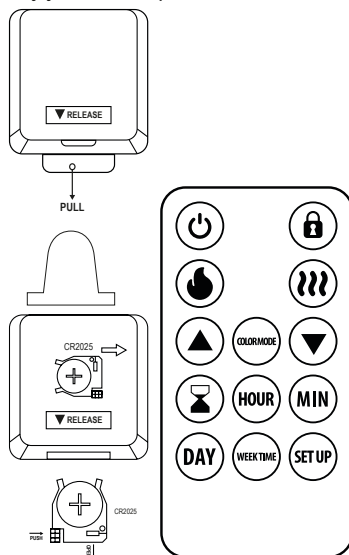
Setarea zilelor săptămânii: La fiecare apăsare al butonului  DAY, pictogramele zilelor vor sări câte o unitate de la stânga spre dreapta.

Temporizatorul săptămânal: Șemineul dispune de posibilitatea temporizării săptămânale.  butonului.

Activarea temporizării săptămânale:  butonului. (Vă rugăm nu setați temporizarea săptămânală pe o perioadă când nu aveți siguranță că veți putea supraveghea șemineul)

TELECOMANDA:

Îndepărtați folia din compartimentul bateriei telecomenzii și telecomanda va fi gata de utilizare. Utilizați aceleași butoane pe care le-ați găsit pe panoul de comandă al șemineului. Telecomanda trebuie funcționează cu raze infraroșii, ca atare telecomanda trebuie îndreptată spre șemineu. Telecomanda are raza de acțiune maximă de 4-5 metri. Asigurați-vă să nu existe obiecte sau persoane între telecomandă și șemineu în timpul controlului.



Corecția de temperatură: Dacă se constată inexactități de măsurare a temperaturii, există posibilitatea calibrării termometrului

șemineului. Apăsăți butonul **TIME** „TIME” timp de 3 secunde. Afășajul va lumina intermitent. Pe afășaj va apare cifra „0” care poate fi modificată prin butoanele + și -. Cu ajutorul acestora valoarea măsurată se poate crește sau scădea cu valoarea aleasă. Calibrarea este posibilă în domeniul -9 și +9 grade C.

Protecția la supraîncălzire: Dacă aparatul se supraîncăzește dintr-un motiv oarecare, el se va opri automat. Îndepărtați orice obiect care a cauzat supraîncălzirea. Pentru a reporni în siguranță șemineul, opriți alimentarea timp de 15 minute. După răcire, aparatul își va relua automat funcționarea.

Curățirea aparatului: Înainte de curățire opriți, întotdeauna deconectați aparatul și lăsați-l să se răcească. Pentru îndepărtarea prafului folosiți o cârpă uscată, sau un aspirator. Carcasa aparatului trebuie ștearsă doar cu o cârpă ușor umedă, având grijă să nu pătrundă umezeala în interiorul aparatului! Nu folosiți chimicale sau alcool pentru curățire!

Depozitare: Aparatul se va păstra la loc uscat și răcoros. Păstrați ambalajul aparatului. Ambalajul poate fi util în cazul depozitării mai îndelungate a aparatului. Atenție! Aparatul va fi reșezat în cutie numai după răcirea completă a acestuia.

ANOMALII POSIBILE ALE FUNCȚIONĂRII

Problema sesizată	Cauza posibilă	Remediu
Șemineul se decuplează și nu se mai recuplează	Șemineul s-a supraîncălzit și unitatea de siguranță a decuplat aparatul. Contacte imperfecte pe traseul de alimentare	Deconectați aparatul de la rețea, așteptați 5 minute și conectați-l înapoi la priză. Verificați conexiunile electrice
Flacăra nu se mișcă	Motorul de comandă a flăcării defect	Apelați la un specialist pentru remediu
Flacăra nu este vizibilă	Unitatea de flacăra nu se află la locul potrivit	Bara de flăcări nu se află la locul potrivit - posibil că a fost dislocat în timpul transportului. Reașezați bara de flăcări la locul potrivit. De preferință apelați la serviciile unui specialist.

Lemnul de foc nu se încinge	Funcția jar nu este activată	Comutați butonul flacăra pe treapta maximă
Telecomanda nu funcționează	Baterie epuizată	Schimbați bateria
	Direcționare greșită a telecomenzii	Direcționați telecomand spre șemineu, mai exact spre centrul panoului din sticlă.
	Telecomandă sau senzor defect	Schimbați telecomanda sau senzorul



Dezafectarea aparatului uzat sau defectat

(Valabil în Uniunea Europeană și în toate celelalte țări europene care participă la colectarea selectivă) Conform Directivei 2012/19 / UE, deșeurile periculoase și aparatele electrice nu se vor elimina împreună cu deșeurile menajere. Aparatele vechi trebuie colectate în recipiente separate pentru a înlesni reciclarea materialelor prime, reducând astfel impactul acestora asupra sănătății umane și a mediului. Simbolul tomberonului barat este atașat la toate produsele care necesită colectare selectivă. Informații suplimentare se obțin de la agențiile de mediu din teritoriu.

Information requirements for electric local space heaters

Model identifier(s):					
Item	Symbol	Value	Unit	Item	Unit
Heat output				Type of heat input, for electric storage local space heaters only (select one)	
Nominal heat out put	P_{nom}	1.836	kW	manual heat charge control, with integrated thermostat	no
Minimum heat output (indicative)	P_{min}	0.916	kW	manual heat charge control with room and/or outdoor temperature feedback	no
Maximum continuous heat output	$P_{max,c}$	1.8	kW	electronic heat charge control with room and/or outdoor temperature feedback	no
Auxiliary electricity consumption				fan assisted heat output	no
At nominal heat output	el_{max}	1.836	kW	Type of heat output/room temperature control (select one)	
At minimum heat output	el_{min}	0.916	kW	single stage heat output and no room temperature control	no
In standby mode	el_{SB}	1.8	kW	Two or more manual stages, no room temperature control	no
				with mechanic thermostat room temperature control	no
				with electronic room temperature control	no
				electronic room temperature control plus day timer	no
				electronic room temperature control plus week timer	yes
				Other control options (multiple selections possible)	
				room temperature control, with presence detection	no
				room temperature control, with open window detection	yes
				with distance control option	no
				with adaptive start control	no
				with working time limitation	no
				with black bulb sensor	no
Contact details	Globiz International Ltd. - Hungary, 4031 Debrecen, Határ 1/C				

Erforderliche Angaben zu elektrischen Einzelraumheizgeräten

Modellkennung(en):					
Angabe	Symbol	Wert	Einheit	Angabe	Einheit
Wärmeleistung			Nur bei elektrischen Speicher-Einzelraumheizgeräten: Art der Regelung der Wärmezufuhr (bitte eine Möglichkeit auswählen)		
Nennwärmeleistung	P_{nom}	1.836	kW	manuelle Regelung der Wärmezufuhr mit integriertem Thermostat	nein
Mindestwärmeleistung (Richtwert)	P_{min}	0.916	kW	manuelle Regelung der Wärmezufuhr mit Rückmeldung der Raum- und/oder Außentemperatur	nein
Maximale kontinuierliche Wärmeleistung	$P_{max,c}$	1.8	kW	elektronische Regelung der Wärmezufuhr mit Rückmeldung der Raum- und/oder Außentemperatur	nein
Hilfsstromverbrauch				Wärmeabgabe mit Gebläseunterstützung	nein
Bei Nennwärmeleistung	el_{max}	1.836	kW	Art der Wärmeleistung/Raumtemperaturkontrolle (bitte eine Möglichkeit auswählen)	
Bei Mindestwärmeleistung	el_{min}	0.916	kW	einstufige Wärmeleistung, keine Raumtemperaturkontrolle	nein
Im Bereitschaftszustand	el_{SB}	1.8	kW	zwei oder mehr manuell einstellbare Stufen, keine Raumtemperaturkontrolle	nein
				Raumtemperaturkontrolle mit mechanischem Thermostat	nein
				mit elektronischer Raumtemperaturkontrolle	nein
				elektronische Raumtemperaturkontrolle und Tageszeitregelung	nein
				elektronische Raumtemperaturkontrolle und Wochentagsregelung	ja
Sonstige Regelungsoptionen (Mehrfachnennungen möglich)					
				Raumtemperaturkontrolle mit Präsenzerkennung	nein
				Raumtemperaturkontrolle mit Erkennung offener Fenster	ja
				mit Fernbedienungsoption	nein
				mit adaptiver Regelung des Heizbeginns	nein
				mit Betriebszeitbegrenzung	nein
				mit Schwarzkugelsensor	nein
Kontaktangaben	Globiz International Ltd. - Hungary, 4031 Debrecen, Határ 1/C				

Az elektromos egyedi helyiségfűtő berendezések termékinformációs követelményei

Modellazonosító(k):					
Jellemző	Jel	Érték	Mértékegység	Jellemző	Mértékegység
Hőteljesítmény				A hőbevitel típusa (csak a hőtárolós elektromos egyedi helyiségfűtő berendezések esetében – egyet jelöljön meg)	
Névleges hőteljesítmény	P_{nom}	1.836	kW	Kézi töltésszabályozás beépített termosztáttal	nem
Minimális hőteljesítmény (indikatív)	P_{min}	0.916	kW	Kézi töltésszabályozás beltéri és/vagy kültéri hőmérséklet-visszacsatolással	nem
Maximális folyamatos hőteljesítmény	$P_{max,c}$	1.8	kW	Elektronikus töltésszabályozás beltéri és/vagy külső hőmérséklet-visszacsatolással	nem
Kiegészítő villamosenergia-fogyasztás				Ventilátorral segített hőleadás	nem
A névleges hőteljesítményen	$e_{l_{max}}$	1.836	kW	A teljesítmény, illetve a beltéri hőmérséklet szabályozásának típusa (egyet jelöljön meg)	
A minimális hőteljesítményen	$e_{l_{min}}$	0.916	kW	Egyetlen állás, beltéri hőmérséklet-szabályozás nélkül	nem
Készenléti üzemmódban	$e_{l_{SB}}$	1.8	kW	Két vagy több kézi szabályozású állás, beltéri hőmérséklet-szabályozás nélkül	nem
				Mechanikus termosztátos beltéri hőmérsékletszabályozás	nem
				Elektronikus beltéri hőmérséklet-szabályozás	nem
				Elektronikus beltéri hőmérséklet-szabályozás és napszak szerinti szabályozás	nem
				Elektronikus beltéri hőmérséklet-szabályozás és heti szabályozás	igen
				Más szabályozási lehetőségek (többet is megjelölhet)	
				Beltéri hőmérséklet-szabályozás jelenlét-érzékeléssel	nem
				Beltéri hőmérséklet-szabályozás nyitottablak-érzékeléssel	igen
				Távszabályozási lehetőség	nem
				Adaptív bekapcsolásszabályozás	nem
				Működési idő korlátozása	nem
				Feketegömb-érzékelővel ellátva	nem
Kapcsolatfelvételi adatok	Globiz International Ltd. - Hungary, 4031 Debrecen, Határ 1/C				

Požadavky na informace pro elektrické lokální ohřivače prostoru

Identifikační(é) kód(y) modelu:					
Položka	Symbol	Hodnota	Jednotka	Položka	Jednotka
Tepelný výkon				Způsob přívodu tepla, pouze pro elektrické akumulární lokální ohřivače prostoru (vyberte jeden)	
Jmenovitý tepelný výkon	P_{nom}	1.836	kW	manuální ovládání množství tepla se zabudovaným termostatem	ne
Minimální tepelný výkon (orientačně)	P_{min}	0.916	kW	manuální ovládání množství tepla se zpětnou vazbou pokojové a/nebo venkovní teploty	ne
Maximální průběžný tepelný výkon	$P_{max,c}$	1.8	kW	elektronické ovládání množství tepla se zpětnou vazbou pokojové a/nebo venkovní teploty	ne
Vlastní spotřeba elektrické energie				tepelný výkon s pomocí ventilátoru	ne
Při jmenovitém tepelném výkonu	$e_{l_{max}}$	1.836	kW	Druh ovládání tepelného výkonu/pokojové teploty (vyberte jeden)	
Při minimálním tepelném výkonu	$e_{l_{min}}$	0.916	kW	jednourovňový tepelný výkon bez ovládání pokojové teploty	ne
V pohotovostním režimu	$e_{l_{SB}}$	1.8	kW	dvě nebo více manuálních úrovní bez ovládání pokojové teploty	ne
				s ovládním pokojové teploty mechanickým termostatem	ne
				s elektronickým ovládním pokojové teploty	ne
				elektronické ovládání pokojové teploty a denní časovač	ne
				elektronické ovládání pokojové teploty a týdenní časovač	ano
				Další možnosti ovládání (možnost vícenásobného výběru)	
				ovládání pokojové teploty s detekcí přítomnosti	ne
				ovládání pokojové teploty s detekcí otevřeného okna	ano
				s možností dálkového ovládání	ne
				s přizpůsobivým ovládním spuštění	ne
				s omezením doby provozu	ne
				se snímačem černé žárovky	ne
Kontaktní údaje	Globiz International Ltd. - Hungary, 4031 Debrecen, Határ 1/C				

Požiadavky na informácie pre elektrické lokálne ohrievače priestoru

Identifikačný (-é) kód (-y) modelu:					
Položka	Symbol	Hodnota	Jednotka	Položka	Jednotka
Tepelný výkon				Spôsob privodu tepla, iba pre elektrické akumulčné lokálne ohrievače priestoru (vyberte jeden)	
Menovitý tepelný výkon	P_{nom}	1.836	kW	manuálne ovládanie množstva tepla so zabudo vaným termostatom	nie
Minimálny tepelný výkon (orientačne)	P_{min}	0.916	kW	manuálne ovládanie množstva tepla so spätnou väzbou izbovej a/alebo vonkajšej teploty	nie
Maximálny priebežný tepelný výkon	$P_{max,c}$	1.8	kW	elektronické ovládanie množstva tepla so spätnou väzbou izbovej a/alebo vonkajšej teploty	nie
Vlastná spotreba elektrickej energie				tepelný výkon s pomocou ventilátora	nie
Pri menovitom tepelnom výkone	$e_{l,max}$	1.836	kW	Druh ovládania tepelného výkonu/izbovej teploty (vyberte jeden)	
Pri minimálnom tepelnom výkone	$e_{l,min}$	0.916	kW	jednoúrovňový tepelný výkon bez ovládania izbovej teploty	nie
V pohotovostnom režime	$e_{l,SB}$	1.8	kW	dve alebo viac manuálnych úrovní bez ovládania izbovej teploty	nie
				s ovládaním izbovej teploty mechanickým termostatom	nie
				s elektronickým ovládaním izbovej teploty	nie
				elektronické ovládanie izbovej teploty a denný časovač	nie
				elektronické ovládanie izbovej teploty a týždenný časovač	áno
				Ďalšie možnosti ovládania (možnosť viacnásobného výberu)	
				ovládanie izbovej teploty s detekciou prítomnosti	nie
				ovládanie izbovej teploty s detekciou otvoreného okna	áno
				s možnosťou diaľkového ovládania	nie
				s prispôsobivým ovládaním spustenia	nie
				s obmedzením času prevádzky	nie
				so snímačom čiernej žiarovky	nie
Kontaktné údaje	Globiz International Ltd. - Hungary, 4031 Debrecen, Határ 1/C				

Cerințe privind informațiile referitoare la aparatele electrice pentru încălzire locală

Identificatorul de model(e):					
Parametru	Simbol	Valoare	Unitate	Parametru	Unitate
Puterea termică			Modul de acumulare a căldurii, numai în cazul aparatelor electrice pentru încălzire locală cu acumulator de căldură (alegeți o variantă)		
Puterea termică nominală	P_{nom}	1.836	kW	control manual al sarcinii termice, cu termostat integrat	nu
Puterea termică minimă (cu titlu indicativ)	P_{min}	0.916	kW	control manual al sarcinii termice, ca răspuns la temperatura camerei și/sau exterioară	nu
Puterea termică maximă continuă	$P_{max,c}$	1.8	kW	control electronic al sarcinii termice, ca răspuns la temperatura camerei și/sau exterioară	nu
Consumul auxiliar de energie electrică				putere termică comandată de ventilator	nu
La putere termică nominală	el_{max}	1.836	kW	Tip de putere termică/controlul temperaturii camerei (se leacți o variantă)	
La putere termică minimă	el_{min}	0.916	kW	cu o singură treaptă de putere termică și fără controlul temperaturii camerei	nu
În modul standby	el_{sb}	1.8	kW	două sau mai multe trepte de putere manuale, fără controlul temperaturii camerei	nu
				cu controlul temperaturii camerei prin interme diul unui termostat mecanic	nu
				cu control electronic al temperaturii camerei	nu
				cu control electronic al temperaturii camerei și cu temporizator cu programare zilnică	nu
				cu control electronic al temperaturii camerei și cu temporizator cu programare săptămânală	da
				Alte opțiuni de control (se pot selecta mai multe va rianțe)	
				controlul temperaturii camerei, cu detectarea prezenței	nu
				controlul temperaturii camerei, cu detectarea unei ferestre deschise	da
				cu opțiuni de control la distanță	nu
				cu demaraj adaptabil	nu
				cu limitarea timpului de funcționare	nu
				cu senzor cu bulb negru	nu
Date de contact	Globiz International Ltd. - Hungary, 4031 Debrecen, Határ 1/C				